

Panasonic

Operating Instructions

Impact Dot Matrix Printer

KX-P2023

Quiet

Printing



© Matsushita Electric Industrial Co. Ltd.
All rights reserved. Unauthorized
copying and distribution is a violation of law

Before operating this unit, please read these instructions completely.

FOR USER IN THE UNITED STATES ONLY

This equipment has been tested and found to comply with the limits for a Class B digital device, pursuant to Part 15 of FCC Rules. These limits are designed to provide reasonable protection against harmful interference in a residential installation. This equipment generates, uses and can radiate radio frequency energy and, if not installed and used in accordance with the instructions, may cause harmful interference to radio communications. However, there is no guarantee that interference will not occur in a particular installation. If this equipment does cause harmful interference to radio or television reception, which can be determined by turning the equipment off and on, the user is encouraged to try to correct the interference by one or more of the following measures:

- Reorient or relocate the receiving antenna.
- Increase the separation between the equipment and receiver.
- Connect the equipment into an outlet on a circuit different from that to which the receiver is connected.
- Consult the dealer or an experienced radio/TV technician for help.

The user may find the booklet "Something About Interference" available from FCC local regional offices helpful.

FCC Warning: To assure continued FCC emission limit compliance, the user must use only the recommended shield interfacing cable when connecting to a host computer. Also, any unauthorized changes or modifications to this equipment would void the users authority to operate this device.

FOR USERS IN CANADA

L'interférence radioélectrique générée par cet appareil numérique de type B ne dépasse pas les limites énoncées le Règlement sur les perturbations radioélectriques, section appareil numérique, du Ministère des Communications.

This digital apparatus does not exceed the Class B limits for radio noise emissions from digital apparatus set out in the Radio Interference Regulations of the Canadian Department of Communications.

WARNING

- The power source voltage of this unit is listed on the nameplate. Plug the printer only into an outlet with the proper voltage.
- To prevent fire or shock hazard, do not expose this product to rain or any type of moisture.
- When you operate this equipment, the outlet should be near the equipment and should be easily accessible.

The serial number of the unit may be found on the label on the rear of the unit. For your convenience, note this number below, and retain this book, along with your proof of purchase, to serve as a permanent record of your purchase in the event of a theft, or for future reference.

MODEL NO. KX-P2023

NAME OF DEALER _____

SERIAL NO. _____

DATE OF PURCHASE _____

IBM and IBM-PC are registered trademarks of International Business Machines Corporation.

Proprinter is a trademark of International Business Machines Corporation.

Windows is a trademark of Microsoft Corporation.

Epson is a registered trademark of Seiko Epson Corporation.

Any details given in these Operating Instructions are subject to change without notice.

Table of Contents

	Introduction	
	Features	6
Chap. 1	Before You Start	
	Cautions	7
	Operating Environment	7
	Precautions	7
	Unpacking	8
	Assembling the parts	9
	Parts of the Printer	10
Chap. 2	Setup	
	Connecting to a Computer	12
	Ribbon Cassette	14
	Installing the Ribbon Cassette	14
	Removing the Ribbon Cassette	17
	Installing Paper	19
	Fanfold Paper (Tractor Push Mode)	19
	Single Sheets and Envelopes (Friction Mode)	22
	Printer-Driver Selection	24
	Installing a Printer-Driver (Windows Ver. 3.1)	25
	Self Test	27
Chap. 3	Initial Setup Mode	
	Using the Setup Disk	28
	Using the Control Panel	33
Chap. 4	Using the Printer	
	Selecting a Character Font	37
	Super Quiet Mode	38
	Feeding Paper	39
	Line Feed/Form Feed (LF/FF)	39
	Tear Off (TEAR OFF)	39
	Paper Parking (LOAD/PARK)	40

Chap. 1

Chap. 2

Chap. 3

Chap. 4

Chap. 5

Chap. 6

Appendix

Chap. 5 Software Commands

Epson LQ-850 Mode	43
IBM Proprinter X24E Mode	49
Command Reference Program (Using the Setup Disk)	54

Chap. 6 Maintenance & Troubleshooting

Periodic Maintenance	57
Troubleshooting	58

Appendix

Printer Specifications	59
Paper Specifications	61
Fanfold Paper	61
Single Sheets	61
Envelopes	61
Printing Area	62
Interfacing	63
Parallel Interfacing	63
Initialization	66
Hex Dump	67
Character Set Tables	68
Proportional Spacing Tables	74
Glossary	81
Index	85
Options and Supplies	87

Introduction

Congratulations on purchasing a Panasonic printer.

This printer is a versatile, high quality 24-pin dot matrix printer which is designed to meet the needs of your office.

This printer has been factory set to operate with most of the popular software packages.

Your application software should control the printer functions. In most cases, there will be no need to change the initial printer settings.

Features

- Printer Emulation:** Epson LQ-850 and IBM Proprinter X24E
- Setup Disk:** A Printer-Driver for Windows Ver. 3.1, Initial Setup program and Command Reference program
- Super Quiet Mode:** Reduces printing noise
- Fonts:** 3 Draft (Pica, Elite, Micron)
4 LQ (Courier, Bold PS, Prestige, Script)
- Printing Speed:** Draft — 192 characters per second (12 cpi)
LQ — 64 characters per second (12 cpi)
- Paper Handling:** Friction and Push Tractor
- Tear Off:** Advances fanfold paper's perforation to tear position
- Paper Parking:** Allows single sheets/envelopes to be used without removing/wasting fanfold paper
- Cut Sheet Feeder Option (KX-PT12):** Provides fast and automatic feeding of single sheets
- Buffer Chip Option (KX-P44):** A 32K chip is available to expand your unit's memory capacity from 14K to 46K

Cautions

Operating Environment

This printer can be installed in any normal office environment. No special wiring or cooling is required.

- Do not use the printer under the following conditions:
 - Extremely high or low temperature
[temperature range: 10~35°C (50~95°F)]
 - Extremely high or low humidity
(humidity range: 30~80% RH)
 - Areas of poor ventilation
[a minimum of 4" (10 cm) clearance on all sides is necessary to insure proper ventilation]
 - Areas of high dust concentration
 - Areas with chemical fume concentration
 - Areas with extreme vibration or when placed on an unstable or unlevel surface
 - Power Consumption:
(MAX—150 W, Stand by—5.66 W, Selftest—35.4 W)

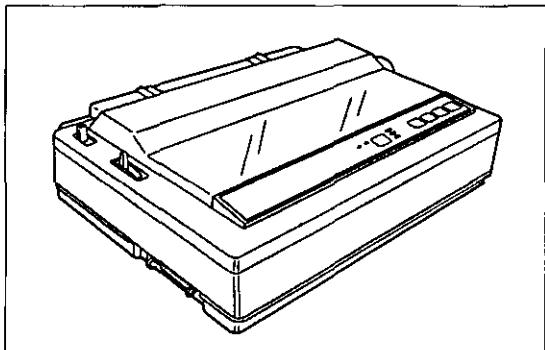
Precautions

The following precautions are recommended to extend the life of the printer.

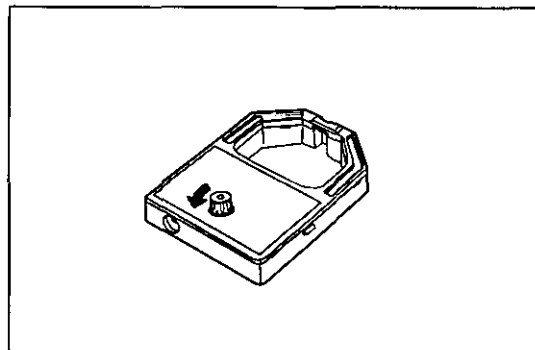
- Keep all liquids away from the printer.
- Do not place books, paper, or other items on top of the printer.
- Do not operate the printer without paper and a ribbon cassette installed.
- Avoid prolonged use without allowing the printhead time to cool.
- Do not obstruct the movement of the printhead while in operation.
- If the printer is not going to be used for an extended period, unplug the power cord.

Unpacking

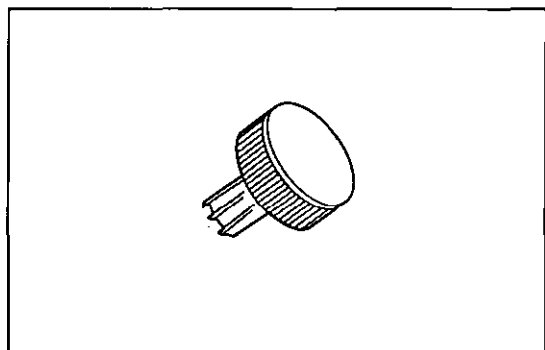
Having unpacked the printer, make sure none of the contents shown below are missing or damaged. Report damages or shortages to the store from which the unit was purchased.



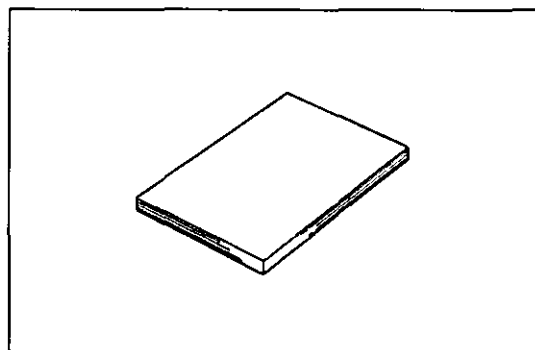
Printer (KX-P2023)



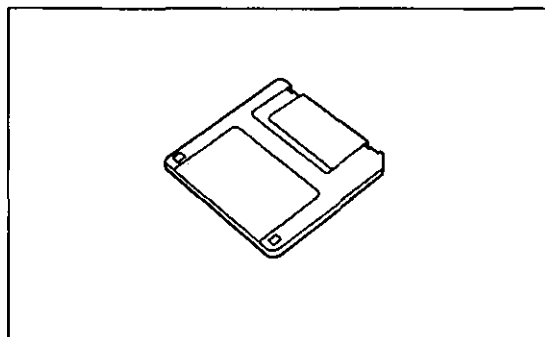
Ribbon cassette (KX-P145)



Platen knob



Operating manual



Setup Disk

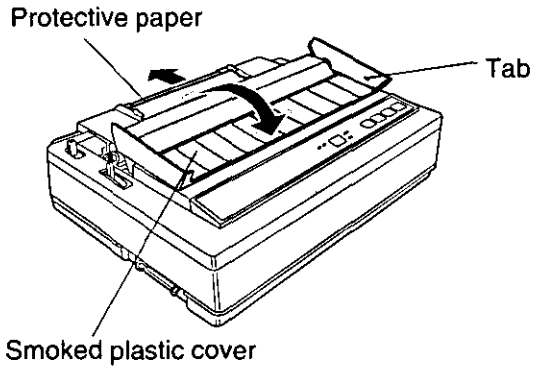
- This Setup Disk contains a Printer-Driver for Windows Ver. 3.1 (P. 25), an Initial Setup program (P. 28) and a Command Reference program (P. 54).
- To use this Setup Disk you need to have an IBM-PC or a Compatible computer.

Note:

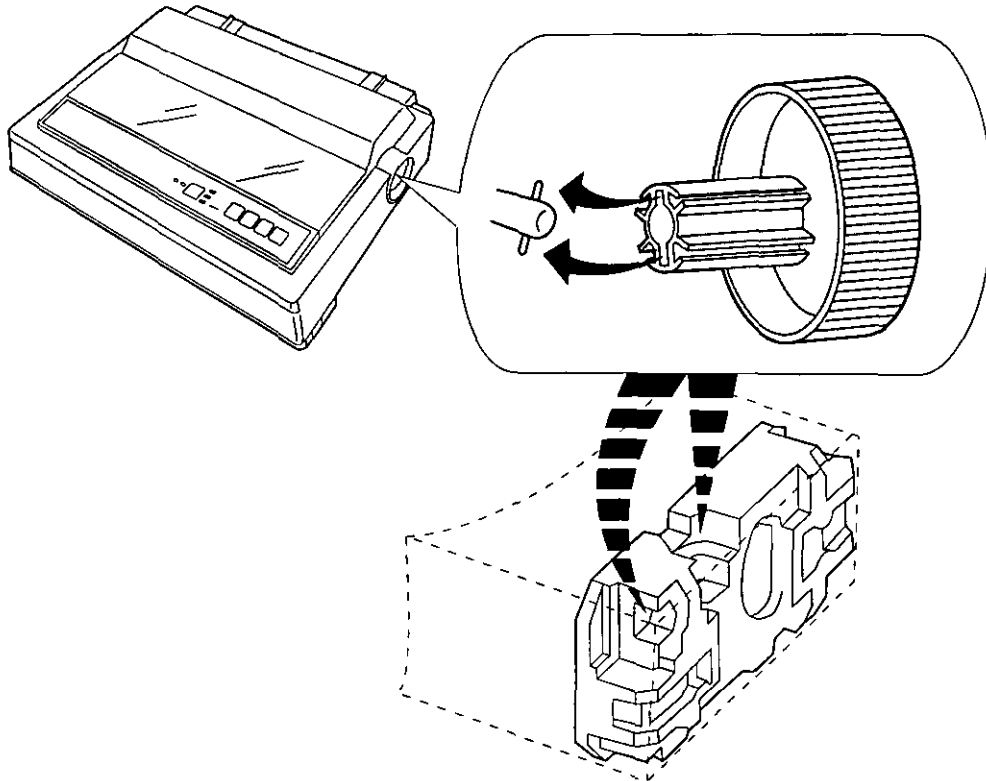
- It is recommended that you save the original carton and packing materials for proper shipping and transporting of the printer.

Assembling the parts

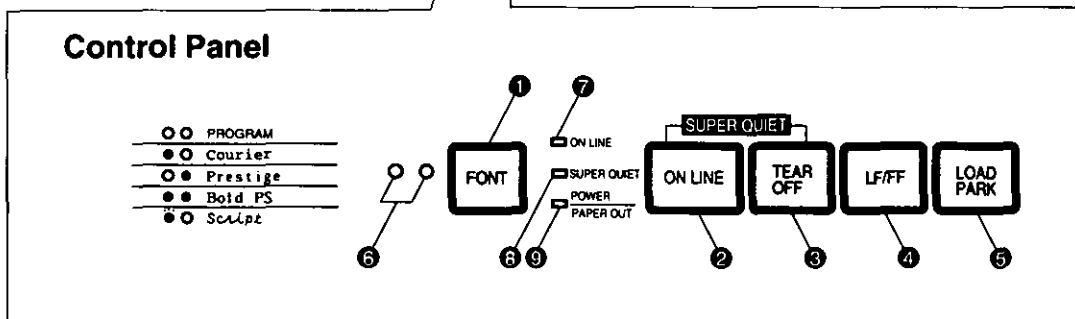
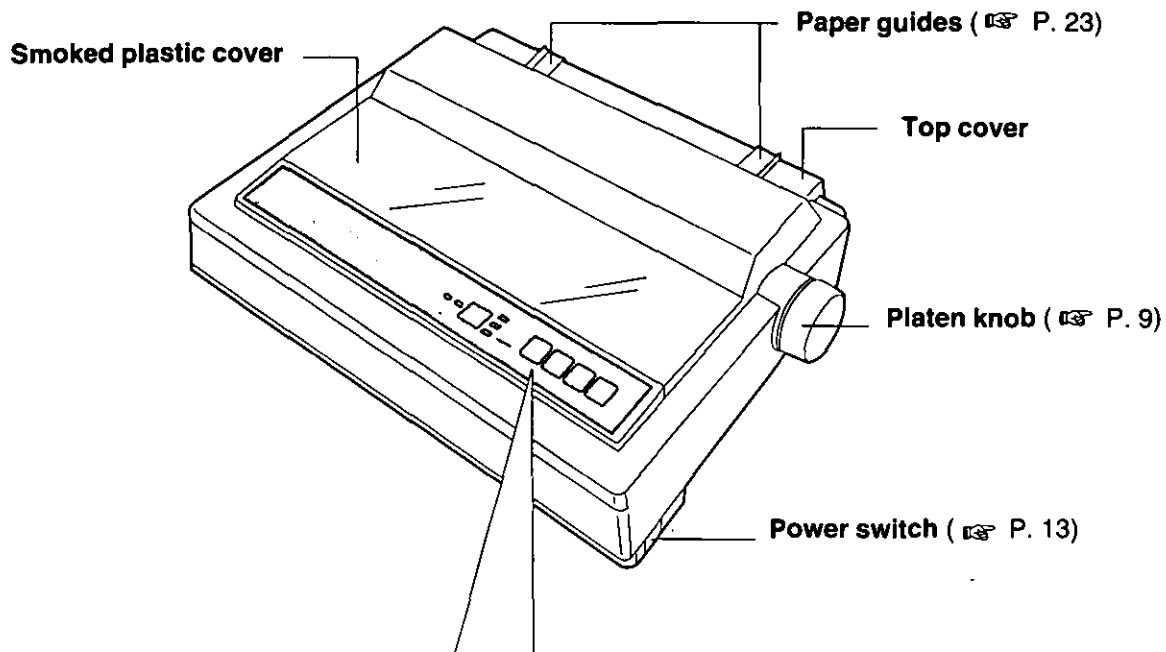
- 1 Fold the smoked plastic cover, and remove the protective paper.



- 2 Return the smoked plastic cover to its original position. Insert the platen knob into the hole on the right side of the printer and rotate it slowly until it slips onto the shaft. Push the platen knob onto the platen shaft to secure.





Parts of the Printer

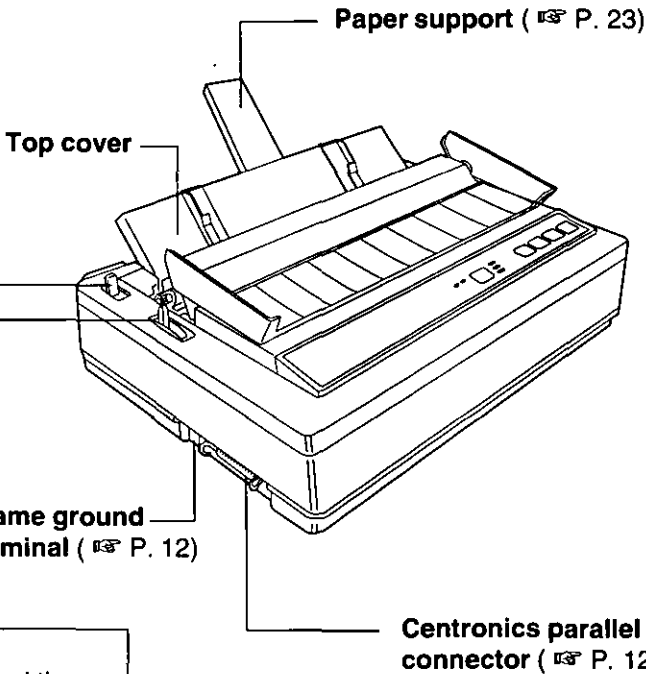


- 1 FONT switch**
Pressing this switch will select the font style. (P. 37)
- 2 ON LINE switch**
This switch opens and closes the communication line with the computer.
- 3 TEAR OFF switch**
Pressing this switch will advance or reverse the paper for tearing off. (P. 39)
- 4 LF/FF switch**
Pressing this switch advances the paper one line at a time. Holding this switch advances the paper to the first print line of the next page. (P. 39)
- 5 LOAD/PARK switch**
Pressing this switch will load or park the paper. (P. 40)
- 6 FONT indicators**
These indicators identify which Font has been selected. (P. 37)
- 7 ON LINE indicator**
This indicator is lit when the printer is in the ON LINE mode, and is out in the OFF LINE mode.
- 8 SUPER QUIET indicator**
This indicator is lit when the printer is in the SUPER QUIET mode. (While pressing the ON LINE switch, press the TEAR OFF switch.) (P. 38)
- 9 POWER/PAPER OUT indicator**
This indicator is lit when the power is on and paper is installed. It blinks when paper is not installed.

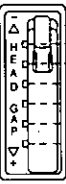
Paper Feed Selector

“” (Friction) Single sheets and envelopes

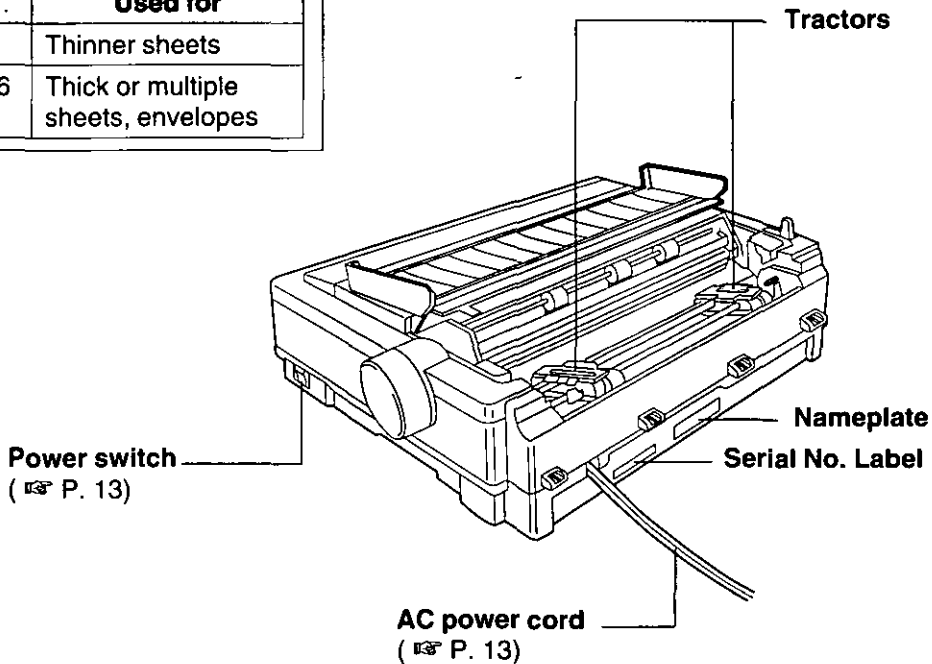
“” (Tractor) Fanfold paper



Head Gap Lever
Adjusts the gap between the platen and the printhead. The lever moves in increments of 0.0028 inch (0.07 mm).

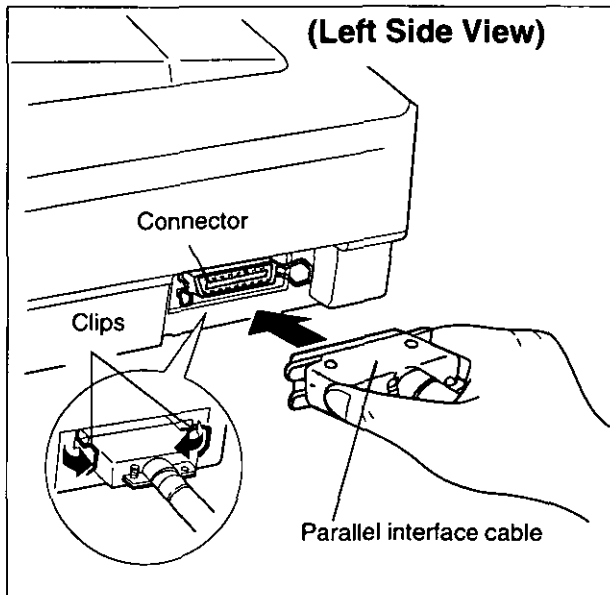


Position	Used for
1 or 2	Thinner sheets
3, 4, 5 and 6	Thick or multiple sheets, envelopes



Connecting to a Computer

1a

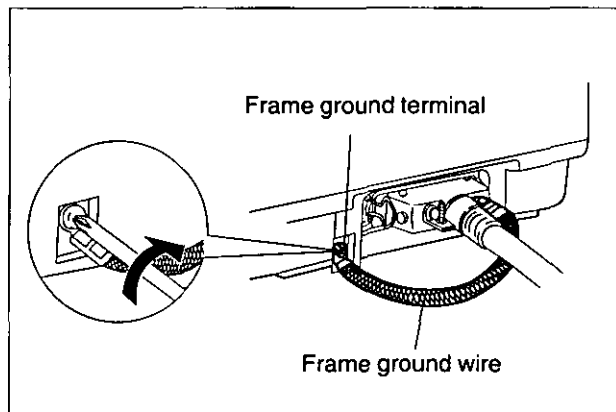


Attach the parallel interface cable from your computer and secure the printer clips.

Note:

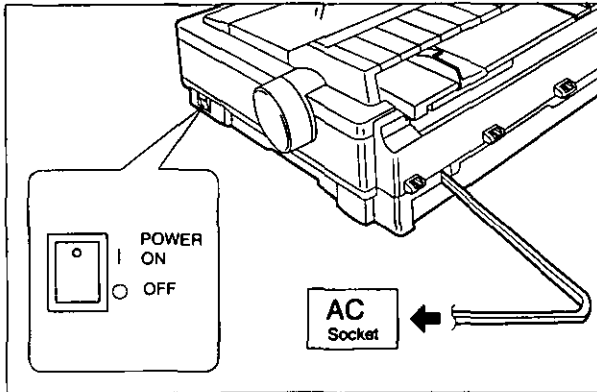
- If you do not have a parallel interface cable, you will need to purchase one from your local computer store or dealer.

1b



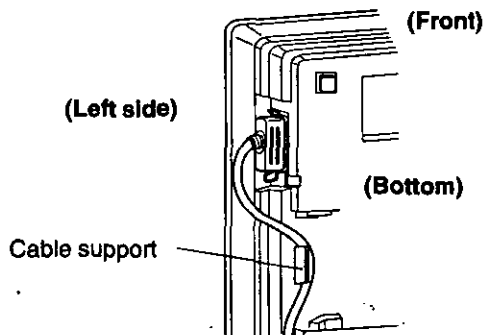
If the cable has a frame ground wire, connect it to the frame ground terminal.

2



Plug printer into a grounded 3 prong AC socket.

When the power is supplied to the printer, the power indicator on the control panel will light.

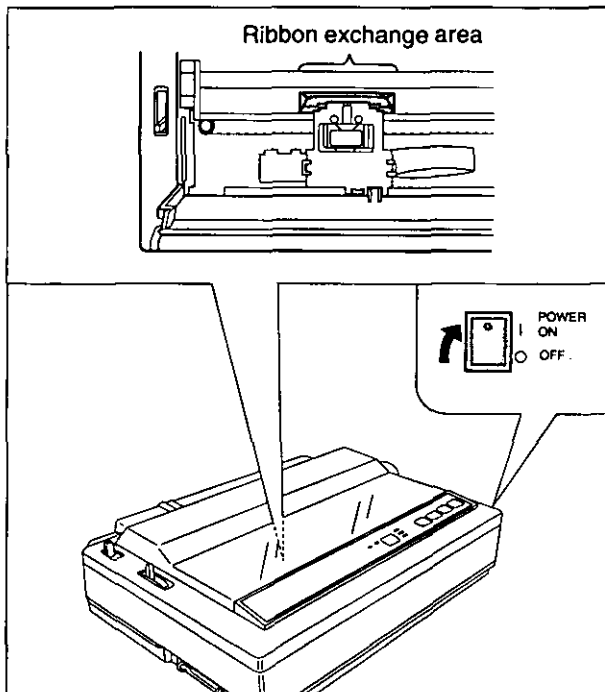


- To prevent the cable from possibly disconnecting from the printer, route the cable through the cable support which is located on the bottom of the unit

Ribbon Cassette

Installing the Ribbon Cassette

1



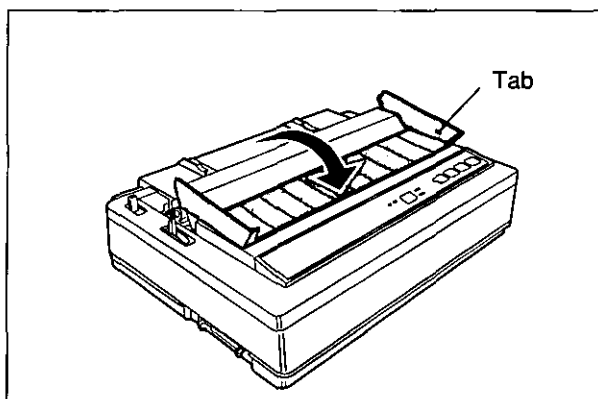
Turn the power on.

The carriage will automatically move to the ribbon exchange area.

Note:

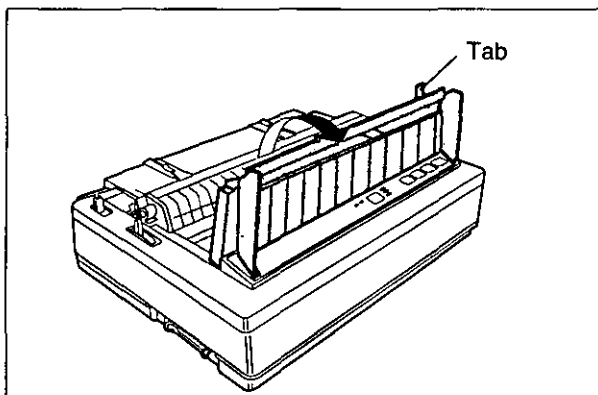
- The printer allows the ribbon cassette to be installed only in this area.

2



Fold the smoked plastic cover forward.

3

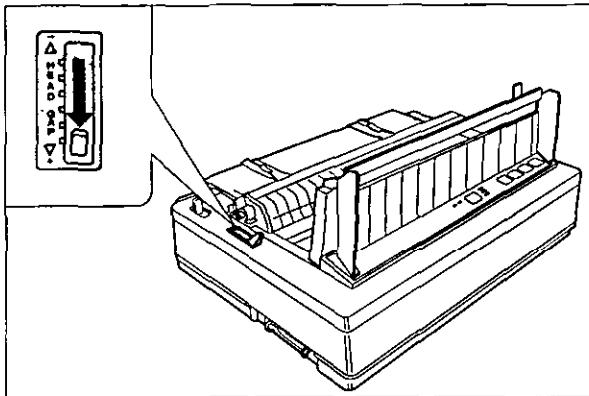


Raise the smoked plastic cover.

Caution:

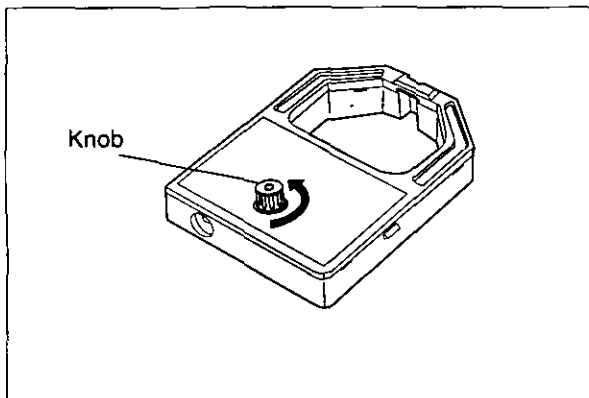
- The printhead may be hot, use caution when cover is open.

4



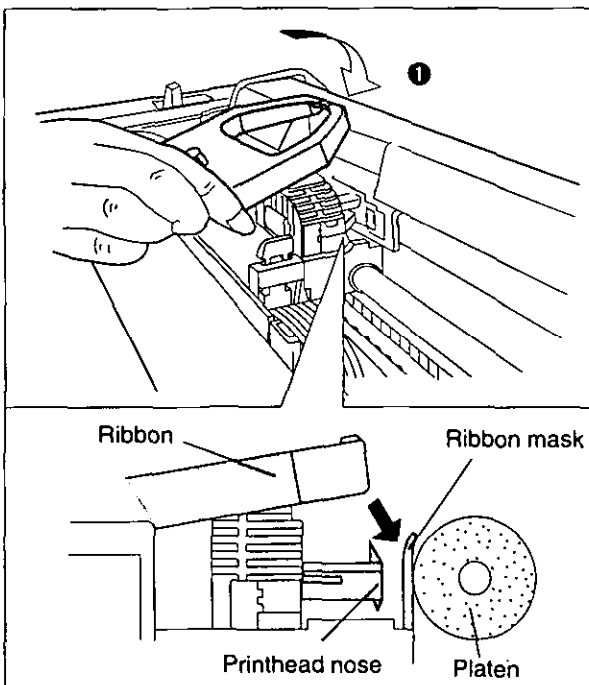
Move the head gap lever to the (+) position.

5



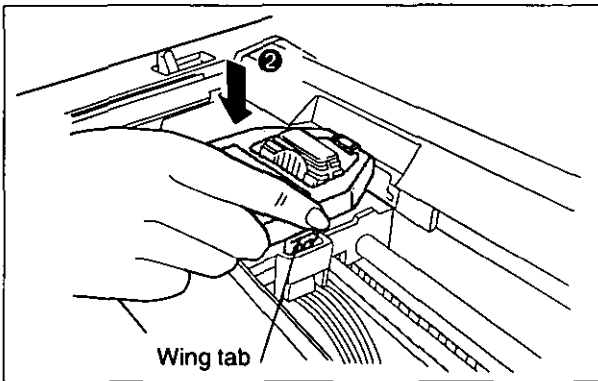
Rotate the knob on the ribbon cassette to remove any slack.

6



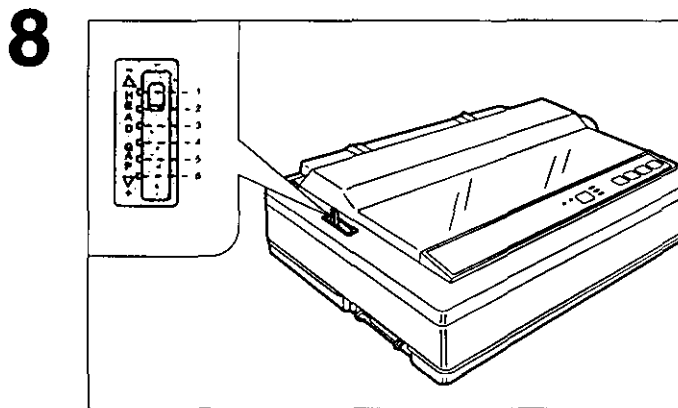
1 Slip the ribbon between the ribbon mask and the printhead nose.

Ribbon Cassette



- 2 Press down on rear of the cassette until the wing tab snaps into place.

7 Replace the smoked plastic cover.

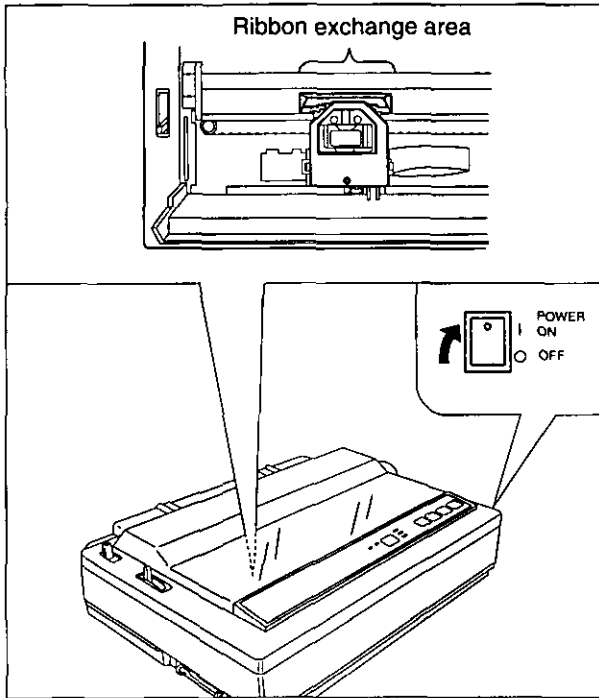


Adjust the head gap lever for the thickness of paper you are using.

Position	Use for
1 or 2	Thinner sheets
3, 4, 5 and 6	Thick or multiple sheets or envelopes

Removing the Ribbon Cassette

1



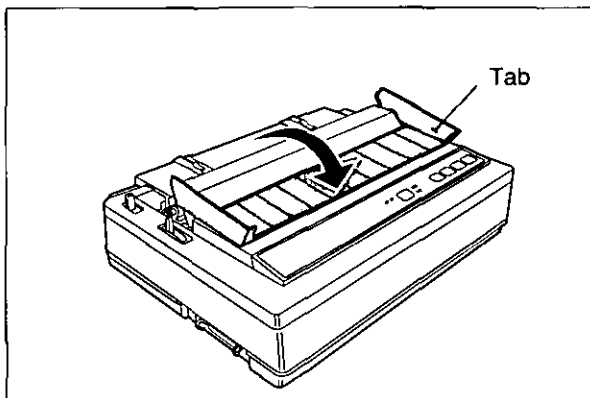
Turn the power on.

The carriage will automatically move to the ribbon exchange area.

Note:

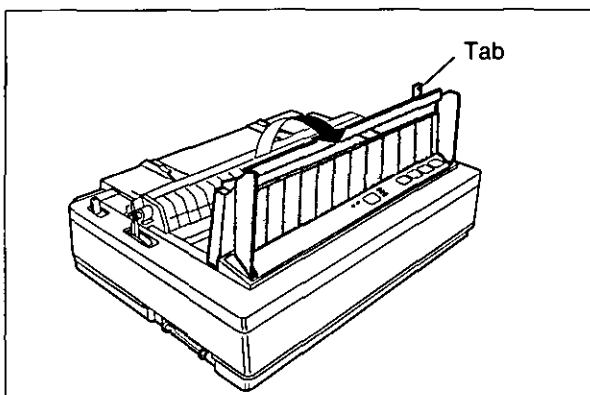
- The printer allows the ribbon cassette to be installed only in this area.

2



Fold the smoked plastic cover forward.

3



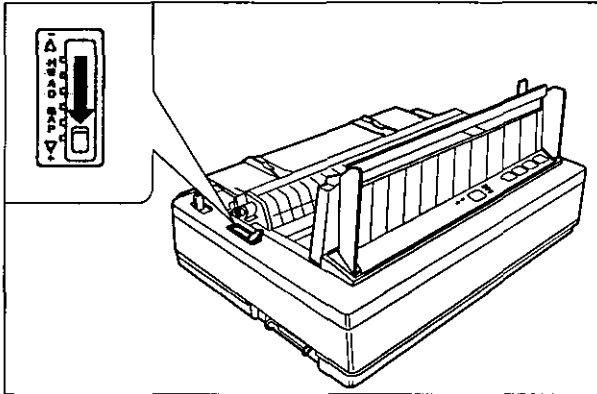
Raise the smoked plastic cover.

Caution:

- The printhead may be hot, use caution when cover is open.

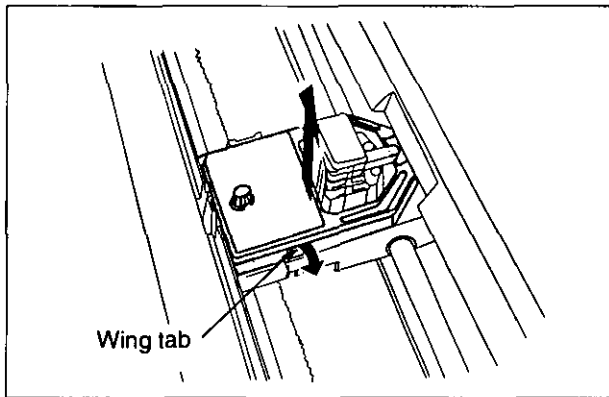
Ribbon Cassette

4



Move the head gap lever to the (+) position.

5



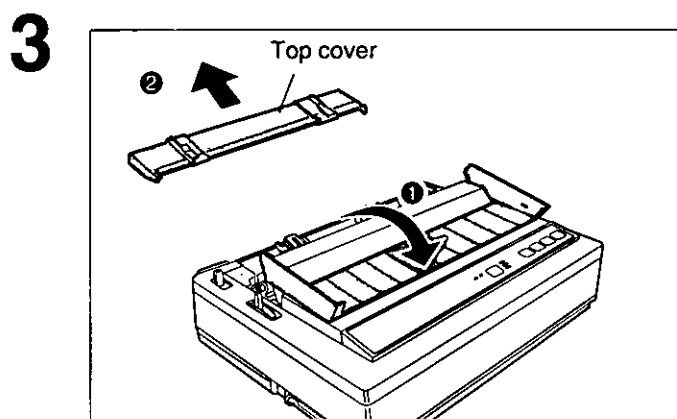
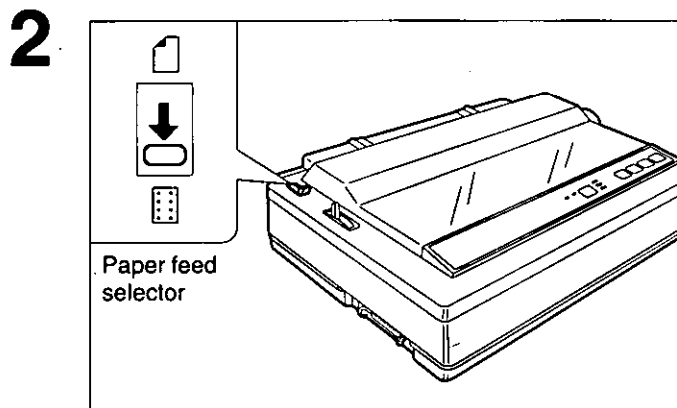
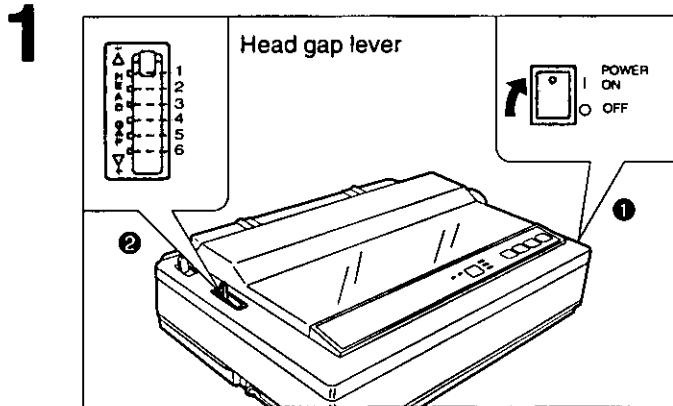
Spread the wing tab and lift up the cassette.

Installing Paper

Your Panasonic printer offers two paper handling choices:

- Fanfold paper (Tractor push mode)
- Single sheets and envelopes (Friction mode)

Fanfold Paper (Tractor Push Mode)



- ❶ Turn the power on.**

The PAPER OUT indicator will flash indicating that paper is not installed in the printer.

- ❷ Adjust the head gap lever for the thickness of paper you are using.**

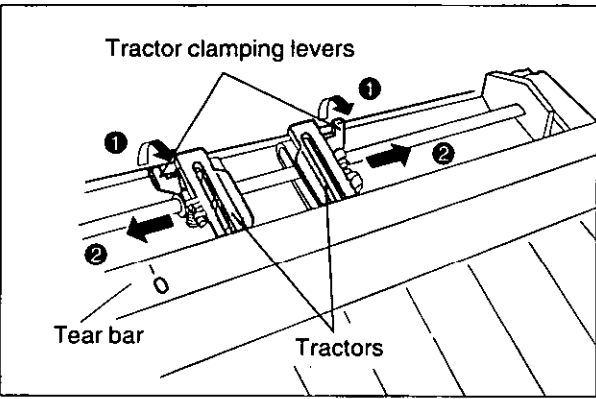
Position	Use for
1 or 2	Thinner sheets
3, 4, 5 and 6	Thick or multiple sheets

- Set the paper feed selector to the “” position.**

- ❸ Fold the smoked plastic cover forward.**

- ❹ Remove the top cover.**

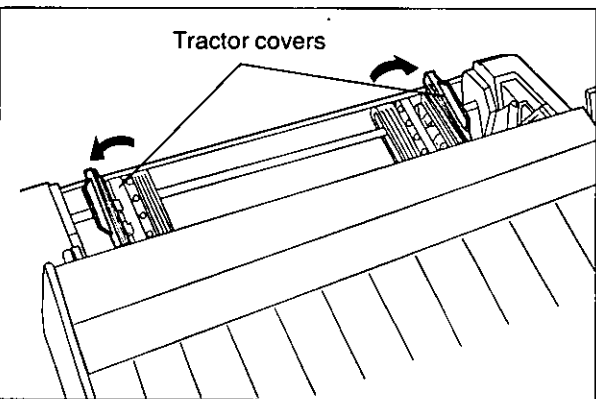
4



- ❶ Unlock the tractors by pulling the tractor clamping levers forward.
- ❷ Slide the tractors to accommodate the approximate width of the paper being used.

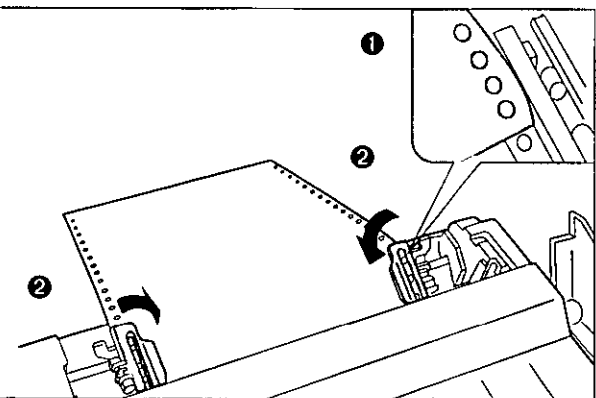
In most applications, you will find that the 0 indicator on the tear bar is a useful tool for predetermining your left most print position.

5



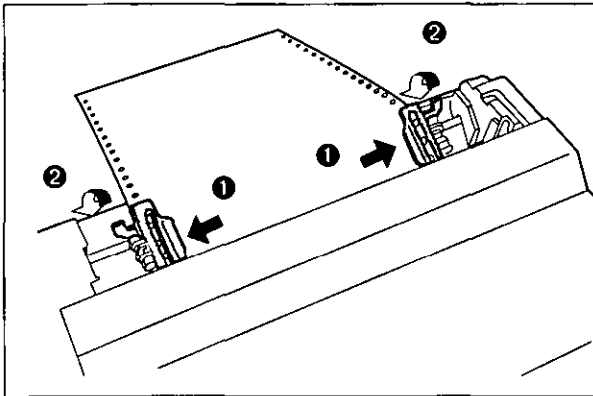
Open the tractor covers.

6



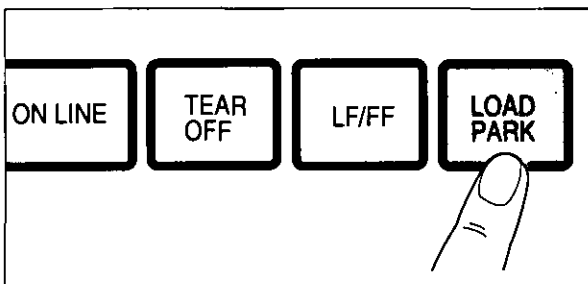
- ❶ Align the paper sprocket holes with the tractor pins making sure the paper is straight.
- ❷ Close the tractor covers.

7



- ① Adjust the tractors to remove any slack.
- ② Lock the tractor clamping levers.

8



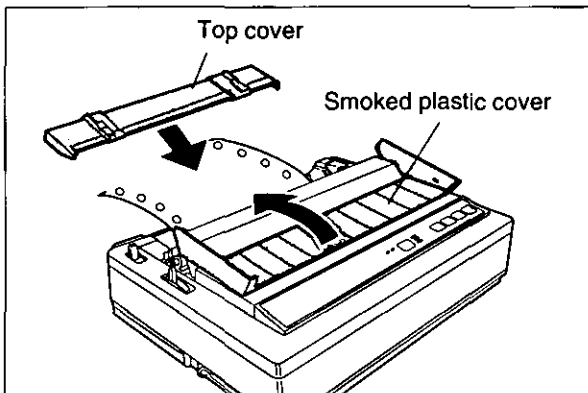
Press **LOAD/PARK**.

This will load the paper to the first print line.

Note:

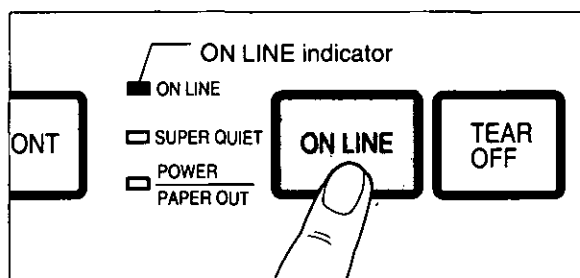
- Do not use **LF/FF** to load paper.

9



Replace the top cover and the smoked plastic cover.

10

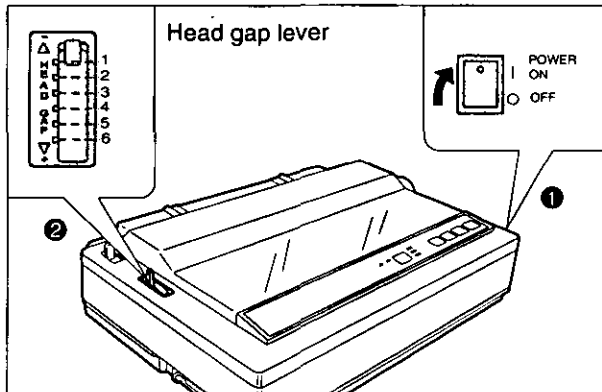


If the **ON LINE** indicator is not lit, press **ON LINE** to get ready to print.

Installing Paper

Single Sheets and Envelopes (Friction Mode)

1



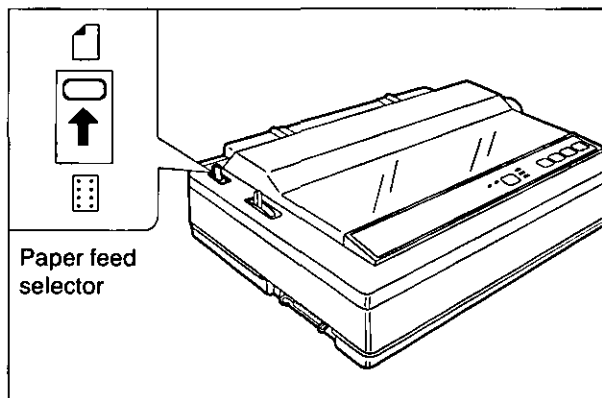
❶ Turn the power on.

The PAPER OUT indicator will flash indicating that no paper is installed in the printer.

❷ Adjust the head gap lever for the thickness of paper you are using.

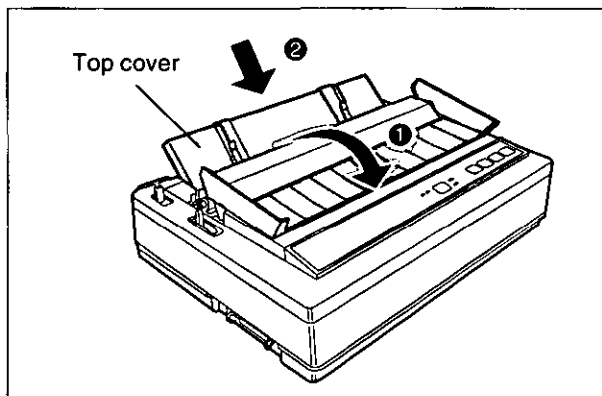
Position	Use for
1 or 2	Thinner sheets
3, 4, 5 and 6	Thick sheets or envelopes

2



Set the paper feed selector to the “” position.

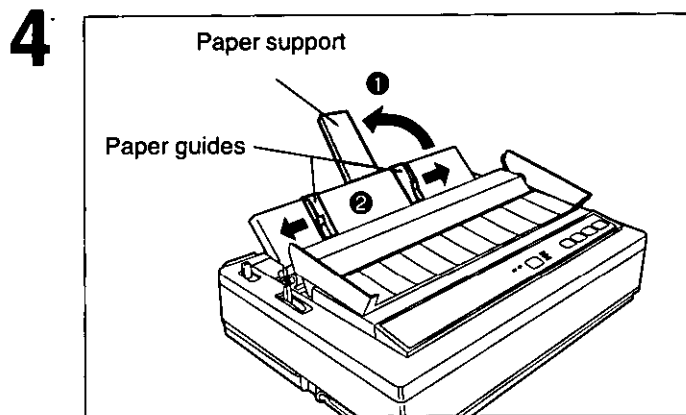
3



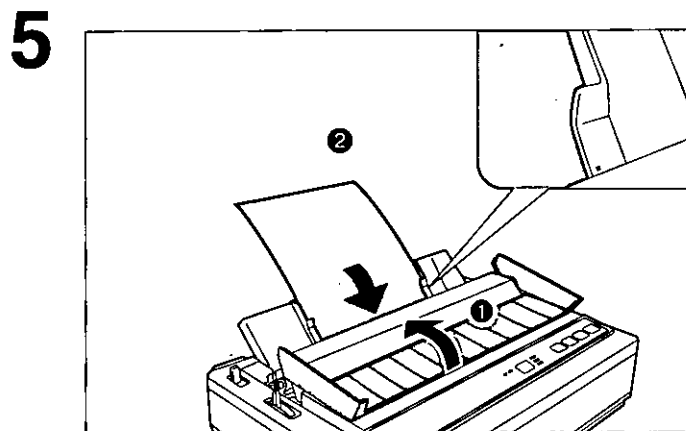
❶ Fold the smoked plastic cover forward.

❷ Raise the top cover to the single sheet feed position.

This is done by inserting the side pins of the top cover into the slots on the upper cabinet.



- ① Rotate the paper support.
- ② Separate the paper guides to the approximate width of your paper or envelope.

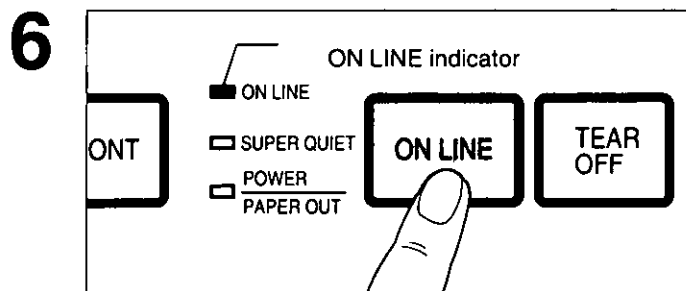


- ① Replace the smoked plastic cover.
- ② Insert a sheet of paper through the paper guides and behind the platen.

The paper will automatically be loaded to the first print line.

Note:

- To disable Auto Load, turn Auto Load OFF in the Initial Setup Mode on disk. (P. 28)
- If Auto Load is disabled, press **LOAD/PARK** to automatically load paper to the first print line.



If the ON LINE indicator is not lit, press **ON LINE** to get ready to print.

Printer-Driver Selection

This procedure is the final step before printing and is performed in your application software program. The steps will vary, depending on the software program. Consult your software package for proper procedures. The Panasonic KX-P2023 will be your first choice. However, if the Panasonic KX-P2023 printer is not listed in your software, you must select an alternative from the following table.

Printer-Driver Selections (in order of priority)

Panasonic KX-P2023
Panasonic KX-P1123
Panasonic KX-P1124
Epson LQ-850
Epson LQ series
IBM Proprinter X24E *
IBM Proprinter X24 *

* If selecting the IBM Proprinter X24E or IBM Proprinter X24 in your software, printer emulation must also be changed in the initial setup mode. (P. 28~36)

Installing a Printer-Driver (Windows Ver. 3.1)

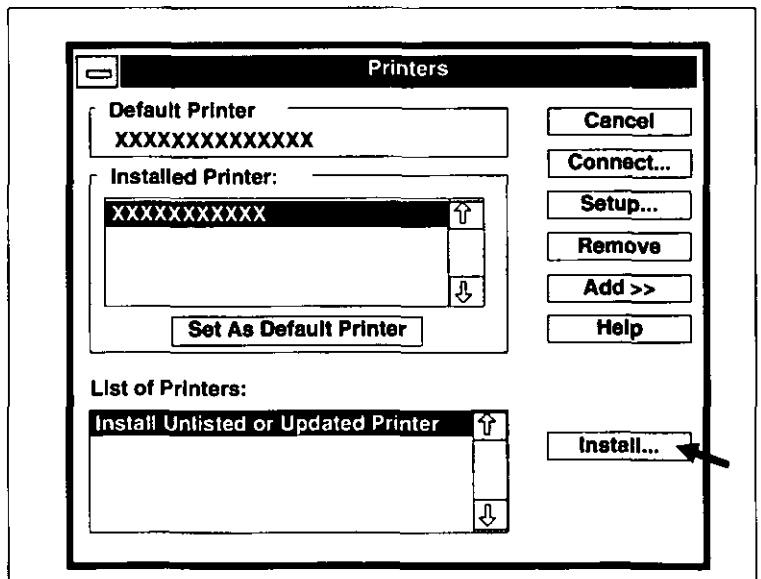
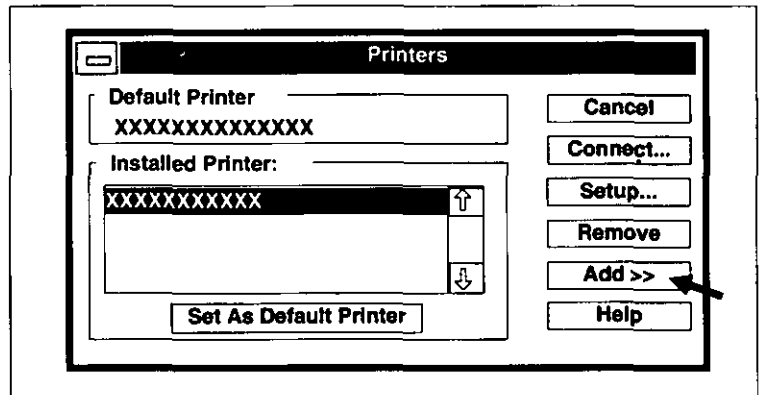
If you are using Windows Ver. 3.1, please use a Printer-Driver for Windows Ver. 3.1 of the attached Setup Disk.

Before you use the Setup Disk, it is recommended that you make a back-up copy and store the original in a safe place.

Note:

- Use the DISKCOPY command of the operating system to make a back-up copy. Refer to your DOS manual for further information.
- Type A:\INSTALL to copy the programs from your Setup Disk onto your hard drive. This procedure automatically creates a directory called 2023 and copies all of the programs from your Setup Disk onto your hard drive.

- 1** In "Main Group", select "Print Manager".
- 2** In "Options", select "Printer Setup".
- 3** Click .
- 4** In "List of Printers", select "Install Unlisted or Updated Printer".
- 5** Click .



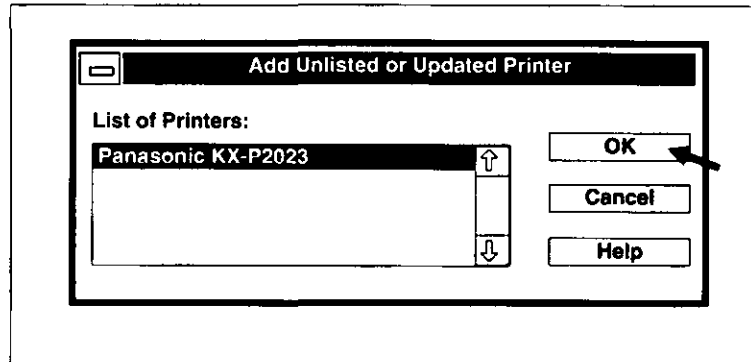
Installing a Printer-Driver (Windows Ver. 3.1)

6 Insert the disk.

7 Click **OK** .

The printer driver of KX-P2023 is shown in a dialog box.

8 Click **OK** .




9 Click **Set As Default Printer** .

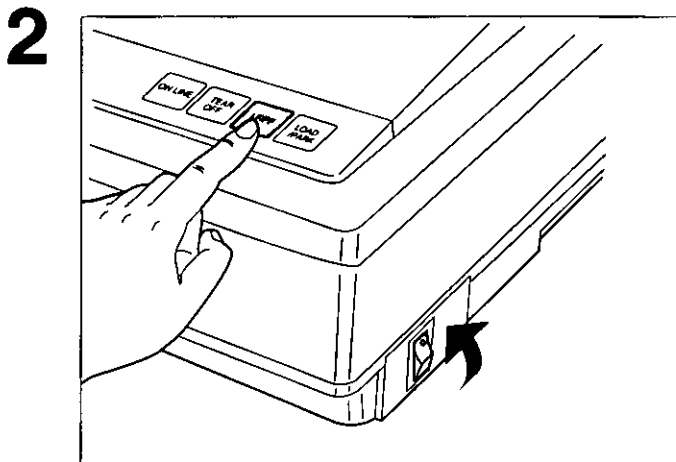
10 Click **Close** .

11 Exit the "Print Manager".

Self Test

The printer has a self test feature which allows you to test the printer.

- 1 Load a sheet of paper** (fanfold or single sheet), then turn the power off.
( P. 19-23)



While pressing **LF/FF** , turn the power on, then release.

```
Draft
!"#$%&'()*+,-./0123456789:;<=>?@ABCDEFGHIJKLMNQP
!"#$%&'()*+,-./0123456789:;<=>?@ABCDEFGHIJKLMNQPQ
!"#$%&'()*+,-./0123456789:;<=>?@ABCDEFGHIJKLMNQPQR
!"#$%&'()*+,-./0123456789:;<=>?@ABCDEFGHIJKLMNQPQRS
!"#$%&'()*+,-./0123456789:;<=>?@ABCDEFGHIJKLMNQPQRST
Courier
!"#$%&'()*+,-./0123456789:;<=>?@ABCDEFGHIJKLMNQP
!"#$%&'()*+,-./0123456789:;<=>?@ABCDEFGHIJKLMNQPQ
!"#$%&'()*+,-./0123456789:;<=>?@ABCDEFGHIJKLMNQPQR
!"#$%&'()*+,-./0123456789:;<=>?@ABCDEFGHIJKLMNQPQRS
!"#$%&'()*+,-./0123456789:;<=>?@ABCDEFGHIJKLMNQPQRST
Prestige
!"#$%&'()*+,-./0123456789:;<=>?@ABCDEFGHIJKLMNQP
!"#$%&'()*+,-./0123456789:;<=>?@ABCDEFGHIJKLMNQPQ
!"#$%&'()*+,-./0123456789:;<=>?@ABCDEFGHIJKLMNQPQR
!"#$%&'()*+,-./0123456789:;<=>?@ABCDEFGHIJKLMNQPQRS
!"#$%&'()*+,-./0123456789:;<=>?@ABCDEFGHIJKLMNQPQRST
```

- 3 If the printer is functioning properly,** you may turn the power off during the self test, or you may run the entire test. (approximately 20 minutes.)

Using Setup Disk

The printer allows you to select 17 Initial Setup items shown in the table below. You can select all these items by using the Setup Disk.

①	Emulation	
	Epson*	Epson LQ-850
	IBM	IBM Proprinter X24E
②	Character set (P. 68)	
	Italic* (Epson only)	
	Graphic character set 1 Graphic character set 2	
③	Code page (P. 68)	
	PC-437 (USA)*	
	PC-850 (Multilingual)	
	PC-860 (Portugal)	
	PC-863 (Canada-French)	
	PC-865 (Norway) PC-857 (Turkey)	
④	International character set (P. 73)	
	USA*	Sweden Denmark 2
	France	Italy Spain 2
	Germany	Spain 1 Latin America
	U.K.	Japan Korea
	Denmark 1	Norway LEGAL
⑤	Font	
	Draft*	Bold PS
	Courier	Script
	Prestige	
⑥	Pitch	
	10 cpi*	17 cpi
	12 cpi	20 cpi
	15 cpi	P.S
⑦	Zero font	
	0* (Normal zero) ø (Slashed zero)	
⑧	Page length	
	11 inches*	12 inches
	14 inches	8 inches
	11 2/3 inches	8 1/2 inches

* denotes setting when shipped from factory.

⑨	Auto LF	
	ON	CR+LF
	OFF*	CR only
⑩	Auto CR	
	ON	LF, VT, ESC+"J"+CR
	OFF*	LF, VT, ESC+"J" only (This setting is effective only in the IBM mode.)
⑪	Skip perforation	
	ON	1 inch skip
	OFF*	No skip
⑫	Alternate Graphic Mode (A.G.M.)	
	ON	AGM is ON
	OFF*	AGM is OFF (This setting is effective only in the IBM mode.)
⑬	Cut Sheet Feeder (C.S.F.)	
	Enable	
	Disable*	[C.S.F. option (KX-PT12) is installed.]
⑭	Graphic direction	
	Uni*	Uni-directional printing
	Bi	Bi-directional printing (Uni-directional printing will provide precise vertical alignment when printing graphics such as tables.)
⑮	Super quiet	
	ON	Super Quiet is ON
	OFF*	Super Quiet is OFF
⑯	Download	
	Enable	
	Disable*	[Buffer Chip option (KX-P44) is installed.]
⑰	Auto load	
	ON*	Enabled
	OFF	Disabled (This setting is effective only when using the single sheets and envelopes.)

This Setup Disk can only be used in an IBM-PC or a compatible computer.

Before you use the Setup Disk, it is recommended that you make a back-up copy and store the original in a safe place.

This printer has been factory set to operate with most of the popular software packages. In most cases there will be no need to change the initial setup items. Refer to page 28 to verify that the factory settings meet your requirements. If no changes are required, you should be ready to print.

Note:

- Use the DISKCOPY command of the operating system to make a back-up copy. Refer to your DOS manual for further information.
- Type A:\INSTALL to copy the programs from your Setup Disk onto your hard drive. This procedure automatically creates a directory called 2023 and copies all of the programs from your Setup Disk onto your hard drive.

Running the Initial Setup program

1 Insert your setup disk into either drive A or B.

<For DOS>

2 Type A: (or B:) and press .

3 Type SETUP

4 Press .

5 Screen 1 [SELECT COUNTRY] will be displayed (for first time installation).

The screen default to a USA setting. If you do not have to change this setting, touch Enter to confirm your country and advance to screen 2. If you must select a country other than USA, refer to page 30, step 1.

Note:

- If you have previously saved your initial setup settings to disk, screen 1 [SELECT COUNTRY] will not be displayed. If you need to select another country, press F4 and screen 1 will be displayed.

<For WINDOWS>

2 Select Run from the File menu.

3 Type A:\SETUP (or B:\SETUP)

4 Click (or Press .

Screen 1

```
<< Panasonic KX-P2023 Setup Utility (xxxxxxxxxx) >>
[SELECT COUNTRY] - for appropriate FACTORY settings
=====
USA
BELGIUM
CHILE
DENMARK
FINLAND
FRANCE
GERMANY
ITALY
NORWAY
PORTUGAL
SPAIN
SWEDEN
TURKEY
UK
OTHER COUNTRY
=====
[↑],[↓] --> Select country
[Enter] --> Confirm country
[ESC]   --> Exit to DOS
```

Using the Setup Disk

Setting and saving the Initial Setup items

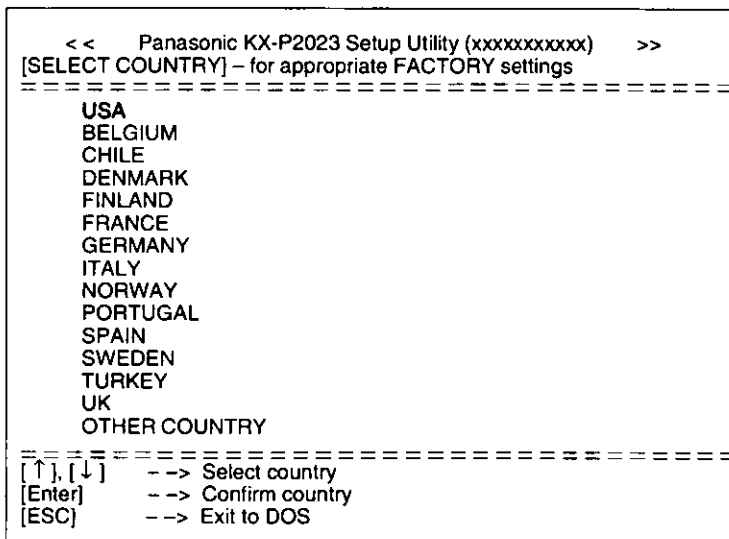
1 Press **↑** or **↓** .

Select the desired country.

Note:

If the name of your country does not exist on the screen, select OTHER COUNTRY.

Screen 1



2 Press **Enter** .

The country will be set and screen 2 will be displayed.

3 Press **↑** or **↓** .

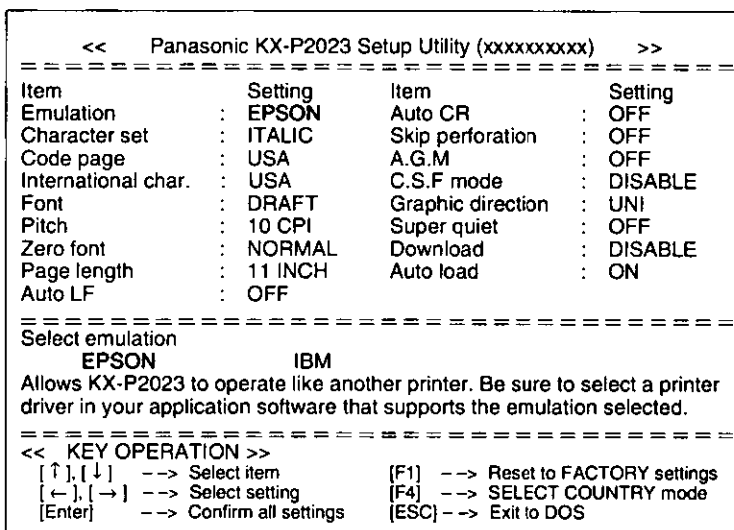
Select the desired item.
A brief description accompanies each item.

4 Press **→** or **←** .

Select the desired setting.

If you want to change the settings of more items, perform steps 3 and 4.

Screen 2



[↑]/[↓]	Moves the cursor one line up/down
[←]/[→]	Changes the setting
[Enter]	Displays a message which confirms settings
[F1]	Resets the current settings to FACTORY settings
[F4]	Returns to screen 1
[ESC]	Exits to DOS

5 Press **Enter** .

Screen 3 will be displayed.

6 Press **Y** or **N** .

“Y”: All the items will be set and screen 4 will be displayed.

“N”: The display will return to screen 2.

Screen 3

```
=====
Are you sure ? (Y/N)
=====
```

7 Press **Y** or **N** .

“Y”: All the settings will be sent to the printer and screen 5 will be displayed.

“N”: The current settings won't be sent to the printer and screen 2 will be displayed.

Screen 4

```
=====
Do you want to save your settings to the printer ? (Y/N)
=====
```

8 Press **Y** or **N** .

“Y”: All the settings will be saved on the disk and screen 6 will be displayed.

“N”: The settings won't be saved on the disk and screen 6 will be displayed.

Screen 5

```
=====
Do you want to save to disk ? (Y/N)
=====
```

Using the Setup Disk

9 Press **Y** or **N** .

“Y”: All the settings will be printout and screen 7 will be displayed.

“N”: The current settings won't be printout and screen 7 will be displayed.

Screen 6

```
=====
Do you want a printout of the printer settings ? (Y/N)
Paper must be installed.
=====
```

10 Press **Y** or **N** .

“Y”: You have exited the Initial Setup program.

“N”: The display will return to screen 2.

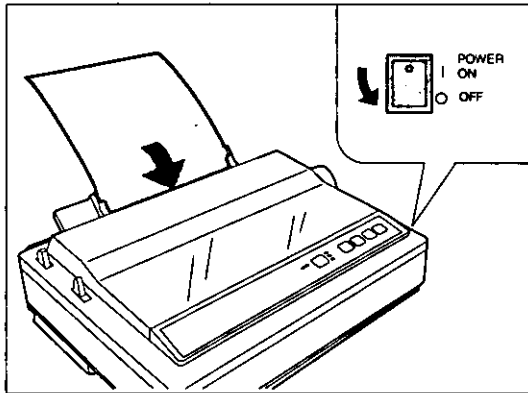
Screen 7

```
=====
Exit to DOS ? (Y/N)
=====
```


Using the Control Panel

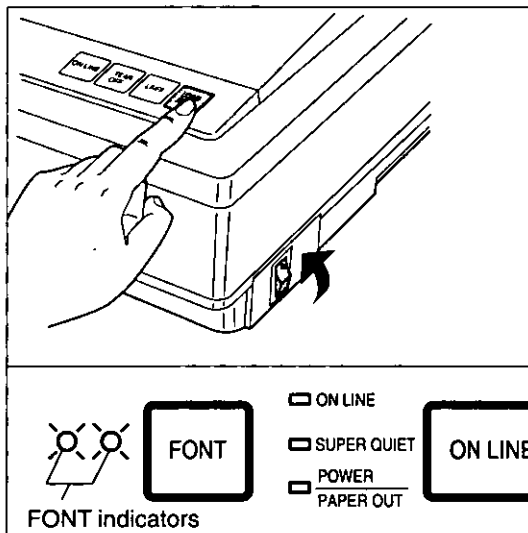
The Control Panel allows you to set only Emulation, Auto Line Feed, Cut Sheet Feeder, Graphic direction and Page length. (☞ P. 35)

1



Load a sheet of paper (☞ P. 19~23), and turn the power off.

2

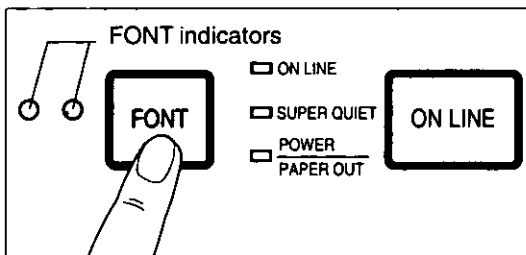


▶ Entering Initial Setup Mode

While pressing **LOAD/PARK**, turn the power on.

Both font indicators and Super Quiet indicator will be blinking.
The current settings will be printed automatically.

3

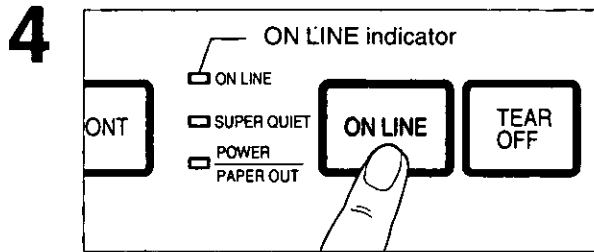


▶ Selecting the Item (Ex; Emulation)

Press and release **FONT**.

Select the desired item according to the status of the FONT indicators (on, off, blinking). Each time you press FONT, you will advance to the next item. (☞ P. 35)

Using the Control Panel

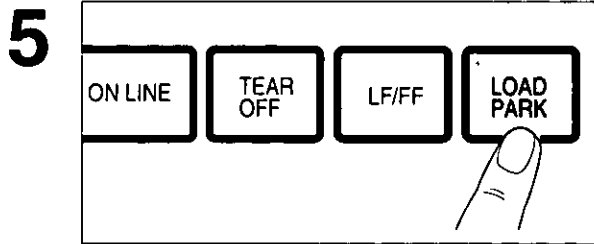


► Setting the Item's Status (Ex; Epson/IBM)

Press and release **ON LINE**.

To change the item's status, press ON LINE. The item's status will change each time you press ON LINE. (P. 35)

If you want to change the settings of some more items, perform steps 2 and 3.



► Exiting Initial Setup Mode

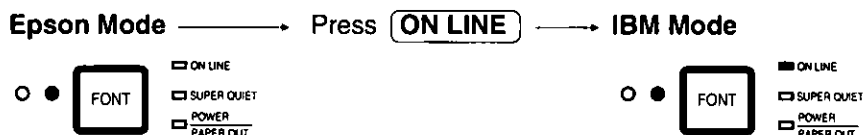
Press **LOAD/PARK**.

Font indicators will go off and the current conditions will print.

EXAMPLES

1. While pressing **LOAD/PARK**, turn the power on.
2. Press **FONT** until font indicators reflect the item you wish to change.
3. Press **ON LINE** if you wish to make a change to that item's status.

Emulation: Press **FONT** once.



Auto LF: Press **FONT** twice.



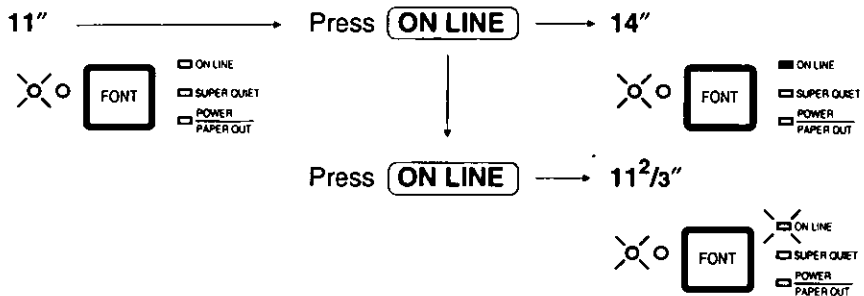
C.S.F.: Press **FONT** 3 times.



G. direction: Press **FONT** 4 times.



Page length: Press **FONT** 5 times.



FONT indicators condition:

● = light is lit ○ = light is out ⊗ = light is blinking

ON LINE indicator condition:

■ = light is lit □ = light is out ⊗ = light is blinking

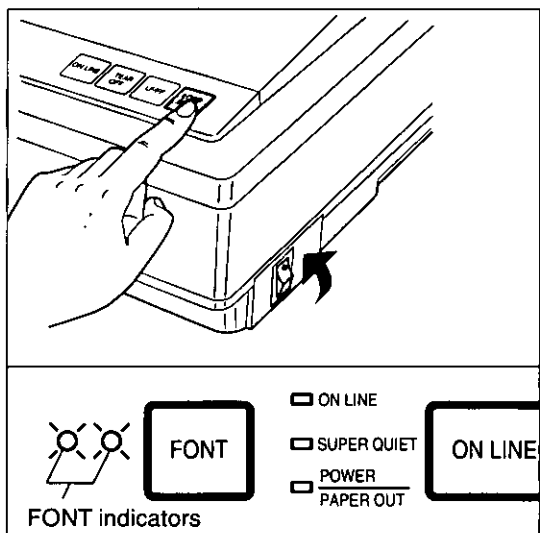
Using the Control Panel

Resetting All Current Settings to the Factory Settings

Follow the instructions below:

If there is paper loaded, you will automatically get a printout of the current settings.

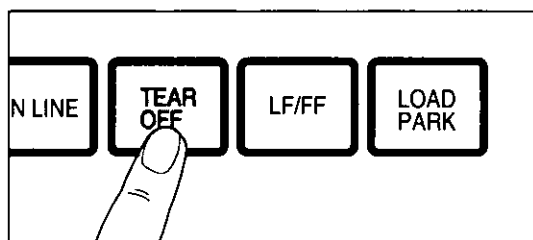
1



While pressing **LOAD/PARK**, turn the power on, then release.

Make sure that both FONT indicators are blinking.

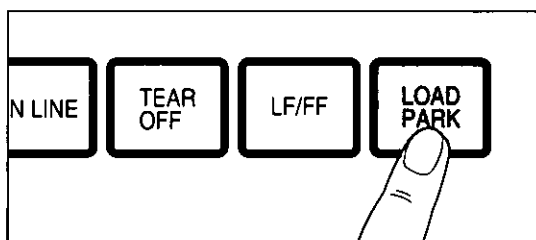
2



Press **TEAR OFF**.

All the current settings will be reset to the Factory settings.

3



Press **LOAD/PARK**.

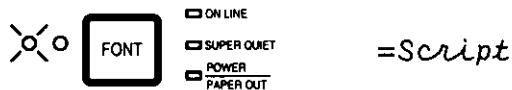
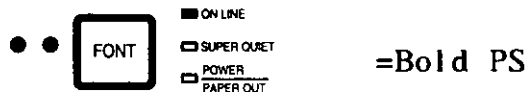
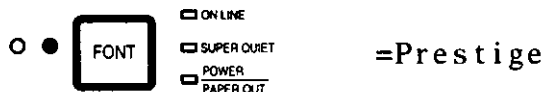
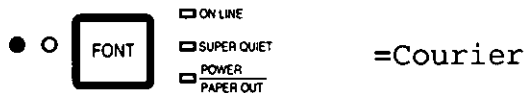
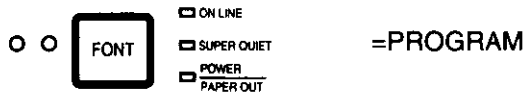
A printout will verify the current setting. You have exited the Initial Setup Mode.

Selecting a Character Font

• Press and release **FONT**

You can select any one of the character fonts by pressing the FONT switch on the Control Panel. The combination of FONT indicators show the current character font status, as shown below.

EXAMPLES



● =light is lit.

○ =light is out

⊗ =light is blinking.

Note:

- When the power is turned off, font will reset to default setting. If you want to save a font selection as your default, you may do so by using the Initial Setup disk. (P. 30)
- When both font indicators are off, the font commands from your software program will control your printer.

Super Quiet Mode

The Super Quiet mode is a useful feature for further reducing print noise. Your printer has the capability of saving this feature by using the Initial Setup disk. (P. 28~32)

Note:

- When enabled, this feature will decrease your print speed.

Turning on the Super Quiet mode:

- While pressing **ON LINE** , press **TEAR OFF** .

The Super Quiet indicator is on.

Turning off the Super Quiet mode:

- While pressing **ON LINE** , press **TEAR OFF** .

The Super Quiet indicator is off.

Feeding Paper

You can adjust the paper position by using the control panel switches when the printer is in the OFF LINE mode or when the printer is not printing in the ON LINE mode.

Line Feed/Form Feed LF/FF

With paper installed, pressing **LF/FF** once advances the paper one line.
Holding **LF/FF** will move the printhead to the center of the printer and advance the paper.

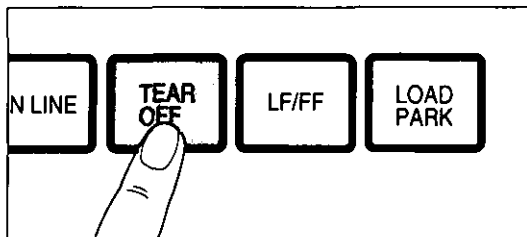
Note:

- Fanfold paper will advance to the top of the next page. When using a cut sheet feeder or single sheets, the current sheet of paper will be ejected.

Tear Off TEAR OFF

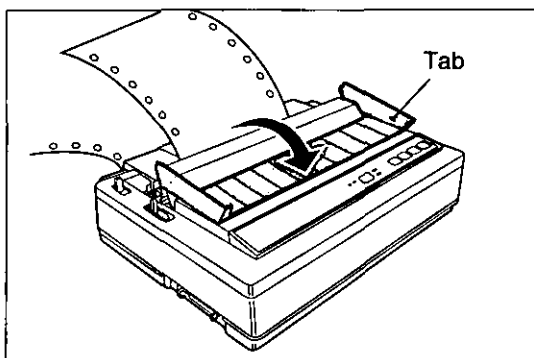
With fanfold paper installed, this function allows you to advance your paper to the tear position. After tearing off the page you can return your paper to the first printing line.

1



Press **TEAR OFF** to advance the paper to the tear bar.

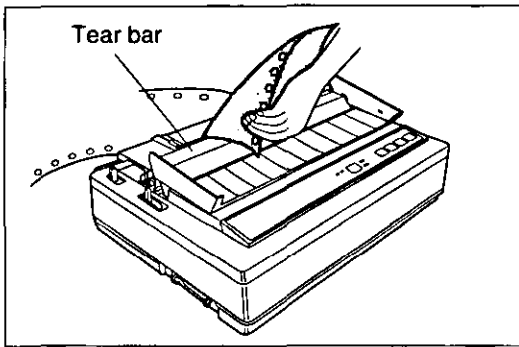
2



Fold the rear part of the smoked plastic cover forward.

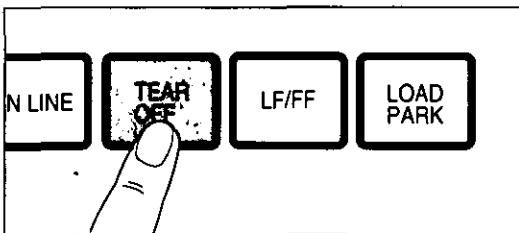
Feeding Paper

3



Tear off the page.

4



Press **TEAR OFF** to reverse the paper back to the first print line.

5

Replace the smoked plastic cover.

Note:

- If **TEAR OFF** is not pressed a second time, the printer will automatically reverse to the first print line upon receiving data from the computer.

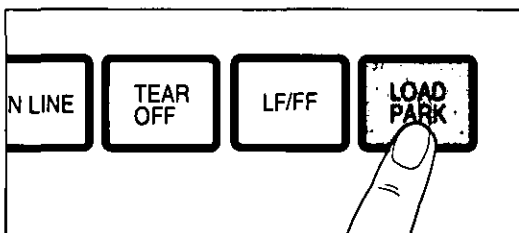
Paper Parking **LOAD/PARK**

This function allows you to use single sheets or envelopes without removing or wasting your fanfold paper.

1

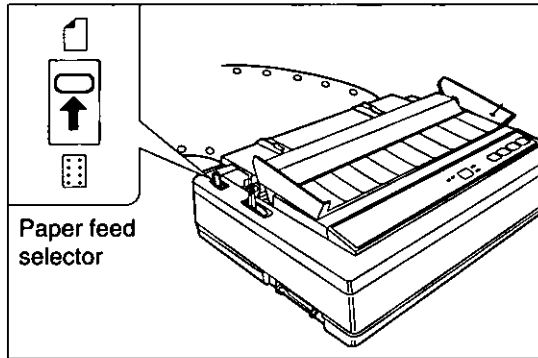
Tear off the printed page(s) of the fanfold paper being used.


2



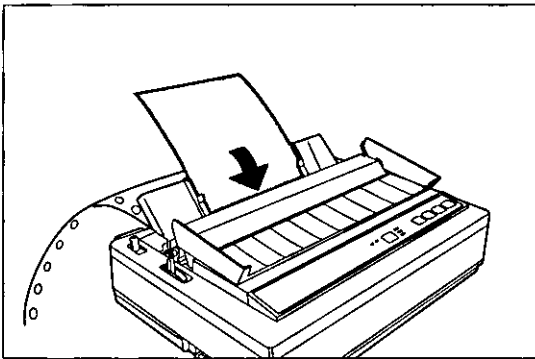
Press **LOAD/PARK** to reverse the fanfold paper to the park position.

3



Move the paper feed selector to “” (Friction mode).

4

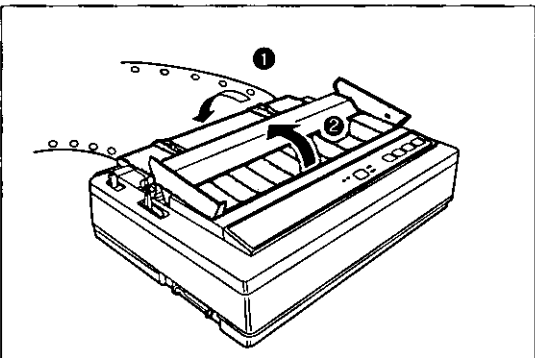


Load a single sheet or an envelope.

( P. 22 “Single Sheets and Envelopes”)

When you are finished printing, remove the sheet (or envelope) from the printer.

5

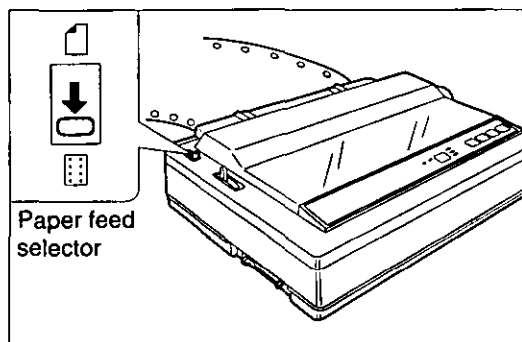



❶ Lower the top cover for fanfold paper.

❷ Replace the smoked plastic cover.

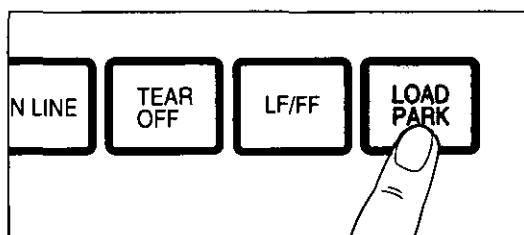
Feeding Paper

6



Move the paper feed selector to “” (Tractor Push mode).

7



Press **LOAD/PARK** to reload the fanfold paper to the first print line.

Epson LQ-850 Mode

This printer has the software commands of Epson LQ-850 mode. More detailed information has been stored in the Command Reference program on the Setup Disk. (P. 54)

Font Selection

Function	Name	Parameter
Selects print quality	ESC "x" n	n=0: Draft font n=1: LQ font
Selects print typeface	ESC "k" n	n=0: Courier font n=2: Courier font n=3: Prestige font n=4: Script n=6: Bold PS font
Selects sub/superscript printing	ESC "S" n	n=0: Superscript n=1: Subscript
Releases sub/superscript printing	ESC "T"	

Character Pitch Selection

Function	Name	Parameter																											
Sets pica pitch (10 cpi) printing	ESC "P"																												
Sets elite pitch (12 cpi) printing*	ESC "M"																												
Sets micron (15 cpi) printing	ESC "g"																												
Sets compressed (17 cpi) printing*	SI or ESC SI																												
Releases compressed printing	DC2																												
Sets/Releases proportional spacing	ESC "p" n	n=0: Release n=1: Set																											
Sets programmable pitch/ highlighting based on the value of n	ESC "!" n	(0 ≤ n ≤ 255)DEC <table border="0"> <tr> <td>Bit</td> <td>ON</td> <td>OFF</td> </tr> <tr> <td>0: Pitch</td> <td>Elite</td> <td>Pica</td> </tr> <tr> <td>1: PS</td> <td>ON</td> <td>OFF</td> </tr> <tr> <td>2: Compressed</td> <td>ON</td> <td>OFF</td> </tr> <tr> <td>3: Emphasized</td> <td>ON</td> <td>OFF</td> </tr> <tr> <td>4: Double printing</td> <td>ON</td> <td>OFF</td> </tr> <tr> <td>5: Double width</td> <td>ON</td> <td>OFF</td> </tr> <tr> <td>6: Italic</td> <td>ON</td> <td>OFF</td> </tr> <tr> <td>7: Underlining</td> <td>ON</td> <td>OFF</td> </tr> </table>	Bit	ON	OFF	0: Pitch	Elite	Pica	1: PS	ON	OFF	2: Compressed	ON	OFF	3: Emphasized	ON	OFF	4: Double printing	ON	OFF	5: Double width	ON	OFF	6: Italic	ON	OFF	7: Underlining	ON	OFF
Bit	ON	OFF																											
0: Pitch	Elite	Pica																											
1: PS	ON	OFF																											
2: Compressed	ON	OFF																											
3: Emphasized	ON	OFF																											
4: Double printing	ON	OFF																											
5: Double width	ON	OFF																											
6: Italic	ON	OFF																											
7: Underlining	ON	OFF																											

* When elite and compressed pitches are set simultaneously, subsequent output is printed in 20 cpi (up to 160 cpi).

Character Highlight Selection

Function	Name	Parameter
Sets emphasized printing	ESC "E"	
Releases emphasized printing	ESC "F"	
Sets/Releases double high printing	ESC "w" n	n=0: Release n=1: Set
Sets single-line double wide printing	SO or ESC SO	
Releases single-line double wide printing	DC4	
Sets/Releases double wide printing	ESC "W" n	n=0: Release n=1: Set
Sets outline and shadow printing	ESC "q" n	n=0: Release n=1: Outline n=2: Shadow n=3: Outline with Shadow
Sets double strike printing	ESC "G"	
Releases double strike printing	ESC "H"	
Sets/Release underlining	ESC "-" n	n=0: Release n=1: Set
Sets/Releases score	ESC "(" "-" 3 0 1 d1 d2	d1=1: Underline d1=2: Strikethrough d1=3: Overscore d2=0: Cancel the score line selected by d1 d2=1: Single continuous line d2=2: Double continuous line d2=5: Single broken line d2=6: Double broken line

Word Processing Mode Selection

Function	Name	Parameter
Sets Word Processing mode	ESC "a" n	n=0: Selects left alignment mode. n=1: Selects centering mode. n=2: Selects right alignment mode. n=3: Selects justification mode
Sets character dots spacing	ESC SP n	(0 ≤ n ≤ 127)DEC

Character Set Selection

Function	Name	Parameter
Sets Italic printing	ESC "4"	
Releases Italic printing	ESC "5"	
Sets international character set	ESC "R" n	n=0: USA n=8: Japan n=1: France n=9: Norway n=2: Germany n=10: Denmark 2 n=3: England n=11: Spain 2 n=4: Denmark 1 n=12: Latin n=5: Sweden America n=6: Italy n=13: Korea n=7: Spain 1 n=64: Legal
Selects graphic Character Set 1	ESC "7"	
Selects graphic Character Set 2	ESC "6"	
Selects alternate character set	ESC "t" n	n=0: Italic n=1: Graphic character set n=2: User-defined characters

Bit Image (Graphics) Mode Selection

Function	Name	Parameter														
Sets 8-pin image standard density (60 dpi)	ESC "K" n1 n2 Data															
Sets 8-pin image double density (120 dpi)	ESC "L" n1 n2 Data															
Sets 8-pin image double density/double speed (120 cpi)	ESC "Y" n1 n2 Data															
Sets 8-pin bit image quadruple density (240 dpi)	ESC "Z" n1 n2 Data															
Sets bit image mode selection	ESC "*" m n1 n2 Data	<table border="0"> <tr> <td>8-pin Dots/Inch</td> <td>24-pin Dots/Inch</td> </tr> <tr> <td>m=0: 60</td> <td>m=32: 60</td> </tr> <tr> <td>m=1: 120</td> <td>m=33: 120</td> </tr> <tr> <td>m=2: 120D</td> <td>m=38: 90</td> </tr> <tr> <td>m=3: 240</td> <td>m=39: 180</td> </tr> <tr> <td>m=4: 80</td> <td>m=40: 360</td> </tr> <tr> <td>m=6: 90</td> <td></td> </tr> </table>	8-pin Dots/Inch	24-pin Dots/Inch	m=0: 60	m=32: 60	m=1: 120	m=33: 120	m=2: 120D	m=38: 90	m=3: 240	m=39: 180	m=4: 80	m=40: 360	m=6: 90	
8-pin Dots/Inch	24-pin Dots/Inch															
m=0: 60	m=32: 60															
m=1: 120	m=33: 120															
m=2: 120D	m=38: 90															
m=3: 240	m=39: 180															
m=4: 80	m=40: 360															
m=6: 90																
Reassigns graphics mode density	ESC "?" n m	n=75: Reassign (ESC "K" n1 n2) n=76: Reassign (ESC "L" n1 n2) n=89: Reassign (ESC "Y" n1 n2) n=90: Reassign (ESC "Z" n1 n2) m is same as m of "Sets bit image mode selection"														

Paper Feed Selection—Amount

Function	Name	Parameter
Sets paper feed to $\frac{1}{8}$ inch (3.2 mm)	ESC "0"	
Sets paper feed to $\frac{1}{6}$ inch (4.2 mm)	ESC "2"	
Sets paper feed to $\frac{n}{60}$ inch	ESC "A" n	(0 ≤ n ≤ 127) _{DEC}
Sets paper feed to $\frac{n}{180}$ inch	ESC "3" n	(0 ≤ n ≤ 255) _{DEC}
Sets paper feed to $\frac{n}{360}$ inch	ESC "+" n	(0 ≤ n ≤ 255) _{DEC}

Paper Feed Selection

Function	Name	Parameter
Feeds paper one line	LF	
Feeds paper to next top of form	FF	
Executes paper feed of $\frac{n}{180}$ inch for one line	ESC "J" n	(0 ≤ n ≤ 255) _{DEC}
Executes reverse paper feed of $\frac{n}{180}$ inch for one line	ESC "j" n	(0 ≤ n ≤ 255) _{DEC}

Page Format Selection

Function	Name	Parameter
Sets page length in inches	ESC "C" 0 n	(0 ≤ n ≤ 22) _{DEC}
Sets page length in lines	ESC "C" n	(1 ≤ n ≤ 127) _{DEC}
Sets left margin	ESC "l" n	0 ≤ n ≤ 78: Pica 0 ≤ n ≤ 93: Elite 0 ≤ n ≤ 117: Micron 0 ≤ n ≤ 133: Compressed
Sets right margin	ESC "Q" n	2 ≤ n ≤ 80: Pica 3 ≤ n ≤ 96: Elite 3 ≤ n ≤ 120: Micron 4 ≤ n ≤ 137: Compressed
Sets skip perforation	ESC "N" n	(1 ≤ n ≤ 127) _{DEC}
Releases skip perforation	ESC "O"	

Tabulation—Horizontal

Function	Name	Parameter
Sets horizontal tab	ESC "D" n ₁ ... n _x 0	(1 ≤ x ≤ 32)
Releases horizontal tab	ESC "D" 0	
Executes horizontal tab	HT	

Tabulation—Vertical

Function	Name	Parameter
Sets vertical tab	ESC "B" n ₁ ... n _x 0	(1 ≤ x ≤ 16)
Releases vertical tab	ESC "B" 0	
Executes vertical tab	VT	
Sets VFU channel	ESC "f" n	(0 ≤ n ≤ 7) _{DEC}
Sets VFU tabulation	ESC "b" m n ₁ n ₂ ... n _x 0	(0 ≤ m ≤ 7) (1 ≤ x ≤ 16)
Releases VFU tabulation	ESC "b" m 0	(0 ≤ m ≤ 7)

Carriage Control

Function	Name	Parameter
Prints, then backspaces one character	BS	
Prints a line, then returns carriage	CR	
Unidirection mode (single line)	ESC "<"	
Sets/Releases single direction printing	ESC "U" n	n=0: Release n=1: Set
Sets/Releases half speed printing	ESC "s" n	n=0: Release n=1: Set
Moves the print position to an absolute horizontal position	ESC "\$" n ₁ n ₂	
Moves the print position to a relative horizontal position	ESC "^" n ₁ n ₂	

Data Control

Function	Name	Parameter
Clears data in line buffer	CAN	
Selects printer remotely	DC1	
Deselects printer remotely	DC3	
Deletes last printable character	DEL	
Sets MSB on	ESC ">"	
Sets MSB off	ESC "="	
Cancels MSB setting	ESC "#"	

Download Character Selection

Function	Name	Parameter
Defines download font	ESC "&" 0 n m do d1 d2 Data	
Selects ROM CG	ESC "%" n	n=0: Select ROM Character Generator
Selects download CG		n=1: Select download CG
Copies internal ROM CG font into download CG	ESC ":" 0 n 0	n=0: Courier font n=2: Courier font n=3: Prestige font n=4: Script n=6: Bold PS font

Miscellaneous

Function	Name	Parameter
Initializes the printer	ESC "@"	
Cut Sheet Feeder control	ESC EM n	n="R": Eject a sheet n="0": Cut Sheet Feeder mode is OFF n="4": Cut Sheet Feeder mode is ON

IBM Proprinter X24E Mode

This printer has the software commands of IBM Proprinter X24E mode. More detailed information has been stored in the Command Reference program on the Setup Disk. (P. 54)

Font Selection

Function	Name	Parameter
Selects print quality	ESC "l" n	n=0: Internal Draft 10 cpi font n=2: Internal LQ 10 cpi font n=3: Internal Proportional LQ font n=4: Download Draft 10 cpi font n=6: Download LQ 10 font n=7: Download Proportional LQ font n=8: Internal Draft 12 cpi font n=10: Internal LQ 12 cpi font n=12: Download Draft 12 cpi font n=14: Download LQ 12 cpi font n=16: Internal Draft 17 cpi font n=18: Internal LQ 17 cpi font n=20: Download Draft 17 cpi font n=22: Download LQ 17 cpi font
Selects print typeface	ESC "k" n	n=0: Courier font n=2: Courier font n=3: Prestige font n=4: Script n=6: Bold PS font
Selects subscript printing Selects superscript printing	ESC "S" n	n=0: Superscript n=1: Subscript
Releases sub/superscript printing	ESC "T"	

Character Pitch Selection

Function	Name	Parameter
Sets elite pitch (12 cpi) printing	ESC "L"	
Sets compressed (17 cpi) printing	SI or ESC SI	
Releases elite and compressed printing	DC2	
Sets/Releases proportional spacing	ESC "P" n	n=0: Release n=1: Set

Character Highlight Selection

Function	Name	Parameter																														
Sets emphasized printing	ESC "E"																															
Releases emphasized printing	ESC "F"																															
Sets double strike printing	ESC "G"																															
Releases double strike printing	ESC "H"																															
Sets single-line double wide printing	SO or ESC SO																															
Releases single-line double wide printing	DC4																															
Sets/Releases double wide printing	ESC "W" n	n=0: Release n=1: Set																														
Sets double high & double wide printing	ESC "[" @ " 4 0 0 0 m3 m4	<table border="0"> <tr> <td>m3</td> <td>Line feed</td> <td>Character height</td> </tr> <tr> <td>0:</td> <td>Unchanged</td> <td>Unchanged</td> </tr> <tr> <td>1:</td> <td>Unchanged</td> <td>Single-line</td> </tr> <tr> <td>2:</td> <td>Unchanged</td> <td>Double-high</td> </tr> <tr> <td>16:</td> <td>Single</td> <td>Unchanged</td> </tr> <tr> <td>17:</td> <td>Single</td> <td>Single-high</td> </tr> <tr> <td>18:</td> <td>Single</td> <td>Double-high</td> </tr> <tr> <td>32:</td> <td>Double</td> <td>Unchanged</td> </tr> <tr> <td>33:</td> <td>Double</td> <td>Single-high</td> </tr> <tr> <td>34:</td> <td>Double</td> <td>Double-high</td> </tr> </table> m4=0: No change m4=1: Single-wide m4=2: Double-wide	m3	Line feed	Character height	0:	Unchanged	Unchanged	1:	Unchanged	Single-line	2:	Unchanged	Double-high	16:	Single	Unchanged	17:	Single	Single-high	18:	Single	Double-high	32:	Double	Unchanged	33:	Double	Single-high	34:	Double	Double-high
m3	Line feed	Character height																														
0:	Unchanged	Unchanged																														
1:	Unchanged	Single-line																														
2:	Unchanged	Double-high																														
16:	Single	Unchanged																														
17:	Single	Single-high																														
18:	Single	Double-high																														
32:	Double	Unchanged																														
33:	Double	Single-high																														
34:	Double	Double-high																														
Sets/Releases underlining	ESC "-" n	n=0: Release n=1: Set																														
Sets/Releases overlining	ESC "_" n	n=0: Release n=1: Set																														

Character Set Selection

Function	Name	Parameter																
Selects alternate Character Set 1	ESC "7"																	
Selects alternate Character Set 2	ESC "6"																	
Changes the current code page	ESC "[" T " 4 0 0 0 n1 n2	<table border="0"> <tr> <td>n1=00H and n2=00H:</td> <td>Current</td> </tr> <tr> <td>n1=01H and n2=B5H:</td> <td>USA</td> </tr> <tr> <td>n1=03H and n2=52H:</td> <td>Multilingual</td> </tr> <tr> <td>n1=03H and n2=5CH:</td> <td>Portugal</td> </tr> <tr> <td>n1=03H and n2=5FH:</td> <td>Canada French</td> </tr> <tr> <td>n1=03H and n2=61H:</td> <td>Norway</td> </tr> <tr> <td>n1=03H and n2=59H:</td> <td>Turkey</td> </tr> <tr> <td>Except the above:</td> <td>Download font</td> </tr> </table>	n1=00H and n2=00H:	Current	n1=01H and n2=B5H:	USA	n1=03H and n2=52H:	Multilingual	n1=03H and n2=5CH:	Portugal	n1=03H and n2=5FH:	Canada French	n1=03H and n2=61H:	Norway	n1=03H and n2=59H:	Turkey	Except the above:	Download font
n1=00H and n2=00H:	Current																	
n1=01H and n2=B5H:	USA																	
n1=03H and n2=52H:	Multilingual																	
n1=03H and n2=5CH:	Portugal																	
n1=03H and n2=5FH:	Canada French																	
n1=03H and n2=61H:	Norway																	
n1=03H and n2=59H:	Turkey																	
Except the above:	Download font																	

Bit Image (Graphics) Mode Selection

Function	Name	Parameter														
Sets 8-pin image standard density (60 dpi)	ESC "K" n1 n2 Data															
Sets 8-pin image double density (120 dpi)	ESC "L" n1 n2 Data															
Sets 8-pin image double density/double speed (120 dpi)	ESC "Y" n1 n2 Data															
Sets 8-pin image quadruple density (240 dpi)	ESC "Z" n1 n2 Data															
Sets bit image mode selection (A.G.M. mode only)	ESC "*" m n1 n2 Data	<table> <tr> <td>8-pin Dots/Inch</td> <td>24-pin Dots/Inch</td> </tr> <tr> <td>m=0: 60</td> <td>m=32: 60</td> </tr> <tr> <td>m=1: 120</td> <td>m=33: 120</td> </tr> <tr> <td>m=2: 120D</td> <td>m=38: 90</td> </tr> <tr> <td>m=3: 240</td> <td>m=39: 180</td> </tr> <tr> <td>m=4: 80</td> <td>m=40: 360</td> </tr> <tr> <td>m=6: 90</td> <td></td> </tr> </table>	8-pin Dots/Inch	24-pin Dots/Inch	m=0: 60	m=32: 60	m=1: 120	m=33: 120	m=2: 120D	m=38: 90	m=3: 240	m=39: 180	m=4: 80	m=40: 360	m=6: 90	
8-pin Dots/Inch	24-pin Dots/Inch															
m=0: 60	m=32: 60															
m=1: 120	m=33: 120															
m=2: 120D	m=38: 90															
m=3: 240	m=39: 180															
m=4: 80	m=40: 360															
m=6: 90																
Sets bit image mode selection	ESC "["g" n1 n2 m Data	<table> <tr> <td>8-pin Dots/Inch</td> <td>24-pin Dots/Inch</td> </tr> <tr> <td>m=0: 60</td> <td>m=8: 60</td> </tr> <tr> <td>m=1: 120</td> <td>m=9: 120</td> </tr> <tr> <td>m=2: 120D</td> <td>m=11: 180</td> </tr> <tr> <td>m=3: 240</td> <td>m=12: 360</td> </tr> </table>	8-pin Dots/Inch	24-pin Dots/Inch	m=0: 60	m=8: 60	m=1: 120	m=9: 120	m=2: 120D	m=11: 180	m=3: 240	m=12: 360				
8-pin Dots/Inch	24-pin Dots/Inch															
m=0: 60	m=8: 60															
m=1: 120	m=9: 120															
m=2: 120D	m=11: 180															
m=3: 240	m=12: 360															

Paper Feed Selection—Amount

Function	Name	Parameter
Sets paper feed to 1/8 inch (3.2 mm)	ESC "0"	
Sets paper feed to 7/72 inch (2.5 mm)	ESC "1"	
Executes line spacing set by ESC "A" n	ESC "2"	
Sets paper feed to n/72 inch (or n/60 inch in A.G.M. mode)	ESC "A" n	(0 ≤ n ≤ 255)DEC
Sets paper feed to n/216 inch (or n/180 inch in A.G.M. mode)	ESC "3" n	(0 ≤ n ≤ 255)DEC
Selects the base line feed unit for ESC "3" and ESC "J"	ESC "["4" 4 0 0 0 0 n	n=180: 1/180 inch base unit n=216: 1/216 inch base unit
Sets/Release automatic line feed	ESC "5" n	n=0: Release n=1: Set

IBM Proprinter X24E Mode

Paper Feed Selection

Function	Name	Parameter
Feeds paper one line	LF	
Feeds paper to next top of form	FF	
Executes one-line paper feed of $\frac{n}{216}$ inch (or $\frac{n}{180}$ inch in A.G.M. mode)	ESC "J" n	$(0 \leq n \leq 255)_{DEC}$

Page Format Control

Function	Name	Parameter
Sets page length in inches	ESC "C" 0 n	$(1 \leq n \leq 255)_{DEC}$
Sets page length in lines	ESC "C" n	$(1 \leq n \leq 255)_{DEC}$
Sets left and right margins	ESC "X" n1 n2	Pica: $1 \leq n1 \leq 78$ $3 \leq n2 \leq 80$ Elite: $1 \leq n1 \leq 93$ $4 \leq n2 \leq 96$ Comp.: $1 \leq n1 \leq 133$ $5 \leq n2 \leq 137$
Sets skip perforation	ESC "N" n	$(0 \leq n \leq 255)_{DEC}$
Releases skip perforation	ESC "O"	
Sets top of form	ESC "4"	

Tabulation—Horizontal

Function	Name	Parameter
Sets horizontal tab	ESC "D" n1 n2 ... nx 0	$(1 \leq x \leq 32)$
Releases horizontal tab	ESC "D" 0	
Executes horizontal tab	HT	

Tabulation—Vertical

Function	Name	Parameter
Sets vertical tab	ESC "B" n1 n2 ... nx 0	$(1 \leq x \leq 64)$
Releases vertical tab	ESC "B" 0	
Executes vertical tab	VT	
Returns to default tabs	ESC "R"	

Carriage Control

Function	Name	Parameter
Prints, then backspaces on character	BS	
Prints a line, then returns carriage	CR	
Sets/Release single direction printing	ESC "U" n	n=0: Release n=1: Set
Moves the print position to a relative horizontal position ($\frac{1}{20}$ inch)	ESC "d" n1 n2	Position: $n1+(256 \times n2)$

Data Control

Function	Name	Parameter
Clears data in line buffer	CAN	
Selects printer remotely	DC1	
Deselects printer remotely	ESC "Q" 36	

Down Load Character Selection

Function	Name	Parameter
Defines download font	ESC "=" n1 n2 35 A1 A2 Data	

Miscellaneous

Function	Name	Parameter
Prints continuously from All Character Chart	ESC "\" n1 n2	Total count: $n2 \times 256 + n1$
Prints one character from All Character Chart	ESC "A"	
Sets OFF LINE mode	ESC "J"	
Resets to initial state	ESC "["K" n1 0 m 36 p1 p2	

Command Reference Program

The Command Reference program allows you to display the detailed explanation of each software command on the screen. Each displayed explanation can be printed out if required.

Before you use the Setup Disk, it is recommended that you make a back-up copy and store the original in a safe place.

Note:

- Use the DISKCOPY command of the operating system to make a back-up copy. Refer to your DOS manual for further information.
- Type A:\VINSTALL to copy the programs from your Setup Disk onto your hard drive. This procedure automatically creates a directory called 2023 and copies all of the programs from your Setup Disk onto your hard drive.

1 Insert your setup disk into either drive A or B.

<For DOS>

2 Type A: (or B:) and press .

3 Type CMDREF

4 Press .

5 Screen 1 will be displayed.

<For WINDOWS>

2 Select Run from the File menu.

3 Type A:\CMDREF (or B:\CMDREF)

4 Click (or Press .

Screen 1

```
<< Panasonic KX-P2023 command reference utility (xxxxxxxxxx) >>
-- SELECT EMULATION --
=====
EPSON
IBM

=====

[↑]/[↓]      : Select emulation
[Enter]      : Set emulation
[E]          : Exit to DOS
```

6 Press **↑** or **↓** .

Select an emulation.

7 Press **Enter** .

The emulation will be set and screen 2 will be displayed.

8 Press **Pg.Up** / **Pg.Down**
or **↑** / **↓** .

Select a command.

Screen 2

```

<< Panasonic KX-P2023 command reference utility (xxxxxxxxxxx) >>
-- SELECT COMMAND -- (EPSON)
=====
FONT SELECTION
ESC+'X'+n          Selects print quality
ESC+'K'+n          Selects print font style
ESC+'S'+1          Selects subscript printing
ESC+'S'+0          Selects superscript printing
ESC+'T'            Releases sub/superscript printing

CHARACTER PITCH SELECTION
ESC+'P'            Sets pica pitch (10 cpi) printing
ESC+'M'            Sets elite pitch (12 cpi) printing
ESC+'g'            Sets micron (15 cpi) printing
SI                 Sets compressed (17 cpi) printing
ESC+SI             Sets compressed (17 cpi) printing
DC2                Releases compressed printing
ESC+'p'+1          Sets proportional spacing
=====
[↑]/[↓]           : Select command
[Pg.Up]/[Pg.Down] : Go to previous/next category
[Enter]           : View command description
[Esc]             : SELECT EMULATION mode
[E]               : Exit to DOS
    
```

[↑]/[↓]	Moves the cursor one line up/down
[Pg.Up]/[Pg.Down]	Moves the cursor to the first command of the previous/next item
[Enter]	Displays the explanation of the command
[Esc]	Returns to screen 1
[E]	Exits to DOS

Command Reference Program

9 Press **Enter**.

The screen will show the detailed explanation of the command.

If you want to print out this explanation, press Enter key again.

If you want to exit this program, go to step 10.

Screen 3

```
<< Panasonic KX-P2023 command reference utility (xxxxxxxxxx) >>
[EPSON]
ESC+'x'+n          Selects print quality
=====
<PRINT QUALITY>
Selects print quality

Name:  ESC      x      n
Dec.:  27      120    n
Hex.:  1B      78     n

Comment:
*The following values of n can be used:
n=0: Draft font
n=1: LQ font
-- END --
=====
[↑]/[↓]           : Text scroll-down/up
[Pg.Up]/[Pg.Down] : Go to previous/next command
[Esc]             : SELECT COMMAND mode
[Enter]          : Print current command description
[E]              : Exit to DOS
```

[↑]/[↓]	Scrolls the text one line down/up
[Pg.Up]/ [Pg.Down]	Displays the explanation of previous/next command
[Esc]	Returns to screen 2
[Enter]	Prints the detailed explanation of the command
[E]	Exits to DOS

10 Press **E**.

You have exited the Command Reference program.

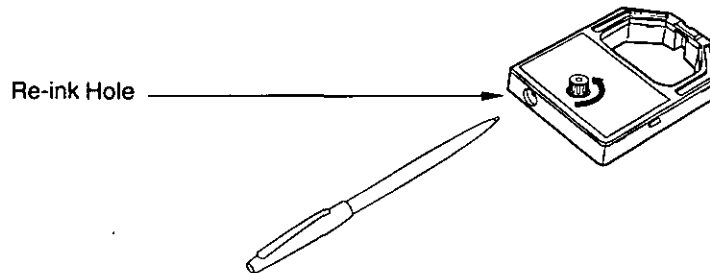
Periodic Maintenance

The printer does not require any routine maintenance. However, reasonable care of the printer will extend its life. The following periodic measures are recommended:

- Cleaning the unit is the most important action the user can perform. The frequency of cleaning is dependent upon the environment.
 - Turn the power OFF.
 - Clean the case and covers with a soft cloth. Use any mild commercial cleaner on the cloth, do not spray directly on to the printer.
 - Remove the top and the smoked plastic covers. Vacuum or dust the inside area of the unit. Be very careful not to damage the printhead ribbon cable or the carriage drive belt.
 - The platen should be cleaned with denatured alcohol only.
 - The carriage guide bar can be lubricated with a very light oil. Contact your Authorized Panasonic Service Center for advice on lubrication.

Ribbon Cassette

A single ribbon permits the printing of approximately 3 million total draft characters. When the printing starts to fade, gently push the counter spring in the ribbon cassette hole with the tip of a ballpoint pen or other object. Once the ribbon cassette is mounted onto the carriage and printing is performed for a short time, the characters will become darker.



Note:

- Do not re-ink the ribbon until printing starts to fade. If the ribbon has too much ink, the characters may smear when printed.
- If the ribbon begins to catch, snag, or tear from the printhead, your printer requires servicing.

Self Test

After re-inking the ribbon, to make sure that the characters are no longer smearing you may perform steps 1~3 of "Self Test". (P. 27)

Troubleshooting

Most problems associated with the printer can be traced to improper setup, installation, or cabling. The following table 5.1 will assist the user in identifying and correcting some of the more common problems. If you need additional help, contact the store from which the unit was purchased.

Symptom	Possible Cause	Probable Solution
Ink smears	Head gap lever is not in the proper position	Move the lever toward the lower position (+) until ink doesn't smear (P. 11)
Printout is faint	Head gap lever is not in proper position	Set the lever to the proper position (P. 11)
Head moves but does not print	Ribbon is not installed correctly	Re-insert ribbon (P. 14-16)
	Head gap lever is not in proper position	Set the lever to the proper position (P. 11)
Printer does not power up	No AC power	Check power cord (P. 13)
Power is on but printer does not print	Printer is not ON LINE	Press ON LINE switch
	Interface cable is not properly connected	Secure connection (P. 13)
	Out of paper	Install new paper (P. 19-23)
	Printhead has become overheated	Allow the printhead some time to cool down. The printer will automatically resume printing
Carriage stops moving, all indicators start blinking	Path of printhead is blocked	Clear the path, turn the power off, then back on to resume printing
Paper wrinkles when using tractor feed	No reverse tension on paper	Set paper supply lower than printer
Printer can't load single sheet in Friction mode	Cut Sheet Feeder is Enable	Set Cut Sheet Feeder to Disable when not using the Cut Sheet Feeder (P. 28-35)
Cut Sheet Feeder does not work	Cut Sheet Feeder is Disable	Set Cut Sheet Feeder to Enable (P. 28-35)
Unexpected characters appear in printing	Emulation is set incorrectly	Check printer driver of your software package and set emulation accordingly (P. 28-35)
KX-P44 (buffer chip) is installed but cannot download	Download is Disable	Set Download to Enable (P. 28-32)
Printout is double-spaced	Auto LF is ON	Set Auto LF to OFF (P. 28-35)
Keeps printing on the same line	Computer is not sending a LF command	Set Auto LF to ON (P. 28-35)
Wrong character set printed	Wrong character set selected	Set the character set as required (P. 28-32)

Table 5.1 Troubleshooting

Printer Specifications

Power requirements:	Refer to the nameplate located on the rear of the printer.																						
Frequency:																							
Current:																							
Interface:	Centronics parallel																						
Print fonts:	3 Draft (Pica, Elite, Micron) 4 Letter Quality (Courier, Bold PS, Prestige, Script)																						
Software emulation:	Epson LQ-850 IBM Proprinter X24E																						
Buffer:	14K (standard), additional 32K (optional KX-P44)																						
Character sets:	96 ASCII characters, 96 Italic ASCII characters, 38 International characters — 14 countries, 158 IBM-PC special characters																						
Dot configuration:	<p>1/127 inch (0.2 mm) dot diameter</p> <table border="0"> <thead> <tr> <th></th> <th></th> <th>Draft</th> <th>LQ</th> </tr> </thead> <tbody> <tr> <td>Matrix</td> <td>(Hor. × Ver)</td> <td>9 × 24</td> <td>30 × 24</td> </tr> <tr> <td>Dot pitch</td> <td>(Hor.)</td> <td>1/120" (0.21 mm)</td> <td>1/360" (0.07 mm)</td> </tr> <tr> <td></td> <td>(Ver.)</td> <td>1/180" (0.14 mm)</td> <td>1/180" (0.14 mm)</td> </tr> </tbody> </table>					Draft	LQ	Matrix	(Hor. × Ver)	9 × 24	30 × 24	Dot pitch	(Hor.)	1/120" (0.21 mm)	1/360" (0.07 mm)		(Ver.)	1/180" (0.14 mm)	1/180" (0.14 mm)				
		Draft	LQ																				
Matrix	(Hor. × Ver)	9 × 24	30 × 24																				
Dot pitch	(Hor.)	1/120" (0.21 mm)	1/360" (0.07 mm)																				
	(Ver.)	1/180" (0.14 mm)	1/180" (0.14 mm)																				
Maximum number of characters per line (cpl):	<table border="0"> <tbody> <tr> <td>Pica [10 cpi (characters per inch)]</td> <td>80 cpl</td> </tr> <tr> <td>Elite (12 cpi)</td> <td>96 cpl</td> </tr> <tr> <td>Micron (15 cpi)</td> <td>120 cpl</td> </tr> <tr> <td>Compressed (17 cpi)</td> <td>137 cpl</td> </tr> <tr> <td>Elite compressed (20 cpi)</td> <td>160 cpl</td> </tr> <tr> <td>Pica elongated (5 cpi)</td> <td>40 cpl</td> </tr> <tr> <td>Elite elongated (6 cpi)</td> <td>48 cpl</td> </tr> <tr> <td>Micron elongated (7.5 cpi)</td> <td>60 cpl</td> </tr> <tr> <td>Compressed elongated (8.5 cpi)</td> <td>68 cpl</td> </tr> <tr> <td>Elite compressed elongated (10 cpi)</td> <td>80 cpl</td> </tr> </tbody> </table>			Pica [10 cpi (characters per inch)]	80 cpl	Elite (12 cpi)	96 cpl	Micron (15 cpi)	120 cpl	Compressed (17 cpi)	137 cpl	Elite compressed (20 cpi)	160 cpl	Pica elongated (5 cpi)	40 cpl	Elite elongated (6 cpi)	48 cpl	Micron elongated (7.5 cpi)	60 cpl	Compressed elongated (8.5 cpi)	68 cpl	Elite compressed elongated (10 cpi)	80 cpl
Pica [10 cpi (characters per inch)]	80 cpl																						
Elite (12 cpi)	96 cpl																						
Micron (15 cpi)	120 cpl																						
Compressed (17 cpi)	137 cpl																						
Elite compressed (20 cpi)	160 cpl																						
Pica elongated (5 cpi)	40 cpl																						
Elite elongated (6 cpi)	48 cpl																						
Micron elongated (7.5 cpi)	60 cpl																						
Compressed elongated (8.5 cpi)	68 cpl																						
Elite compressed elongated (10 cpi)	80 cpl																						
Printing speed [characters per second (cps)]:	<table border="0"> <thead> <tr> <th></th> <th>Micron</th> <th>Elite</th> <th>Pica</th> </tr> </thead> <tbody> <tr> <td>Draft</td> <td>240 cps</td> <td>192 cps</td> <td>160 cps</td> </tr> <tr> <td>Letter Quality</td> <td>80 cps</td> <td>64 cps</td> <td>53 cps</td> </tr> </tbody> </table>				Micron	Elite	Pica	Draft	240 cps	192 cps	160 cps	Letter Quality	80 cps	64 cps	53 cps								
	Micron	Elite	Pica																				
Draft	240 cps	192 cps	160 cps																				
Letter Quality	80 cps	64 cps	53 cps																				
Printing direction:	Text printing: Bi-Directional Bit Image printing: Uni-Directional & Bi-Directional																						
Line feed time:	Approx. 100 msec [with 1/6 inch (4.2 mm) line feeding]]																						
Paper Feed:	Push Tractor feed (with fanfold paper) Friction feed (with single sheets or envelopes)																						
Operating environment:	Temperature: 10°C~35°C (50°F~95°F) Humidity: 30~80% RH (Please allow the printer to stabilize at room temperature within the operating temperature range before operation)																						
Storage environment:	Temperature: -20°C~60°C (-4°F~140°F) Humidity: 10~90% RH																						

(Continued)

Printer Specifications

Head service life:	Approx. 200 million strokes in draft mode
Ribbon:	Cassette seamless fabric ribbon Black ribbon cassette KX-P145: Life expectancy (in Draft mode) (rolling ASCII) Approx. 3 million
Detectors:	Paper out detector Overheat detector
Dimensions:	434 (W) × 314 (D) × 134.5 (H) mm {17.1" × 12.4" × 5.3"}
Mass (Weight):	Approx. 4.8 kg {10.6 lbs}

Paper Specifications

Paper which may be used with this unit must be within the specifications provided below.

Fanfold Paper

Width: 4 ~ 10 inches (102 ~ 254 mm)

Quality and number of sheets:

Type of paper	Sheets	Weight	
		in lbs	in g/m ²
Fine-quality paper	1	16 ~ 24	60 ~ 90
Non-carbon	2 ~ 4	11 ~ 14 (17*)	41 ~ 53 (64*)
Multi-layered with carbon	2	11 ~ 14 (17*)	41 ~ 53 (64*)

(* only for the last sheet)

Note:

- In multi-layered paper with carbon, the carbon is equivalent to a sheet of paper.
- "Weight in pounds" represents the weight of 500 [17×22 inches (423×559 mm)] sheets.
- The printer will handle multipart papers up to 0.013 inch (0.32 mm). Up to 4 copies of 14 lb. chemical release paper can be used.

Single Sheets

Width: 4 ~ 11.7 inches (102 ~ 297 mm)

Height: 5 ~ 14.3 inches (127 ~ 363 mm)

Weight in pounds (g/m²): 14 ~ 24 lbs (53 ~ 90 g/m²)

Note:

- Paper should be within operating temperature and humidity ranges at least 24 hours prior to use.

Envelopes

#6 and #10 size envelopes are recommended. Since envelopes vary in size, paper weight and construction, we cannot guarantee print quality and paper handling for all types of envelopes.

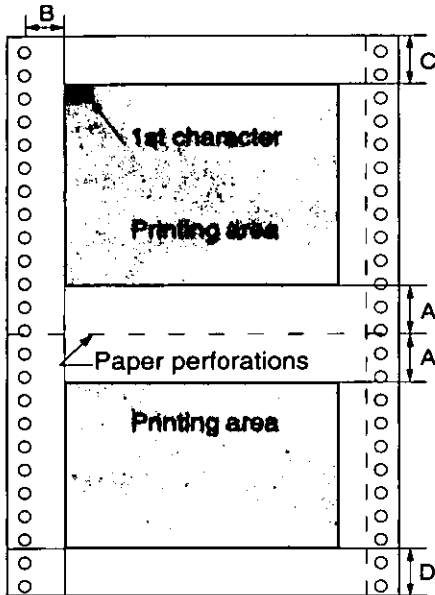
Note:

- To optimize print quality, printing should not occur in areas where the edges overlap.

Paper Specifications

Printing Area

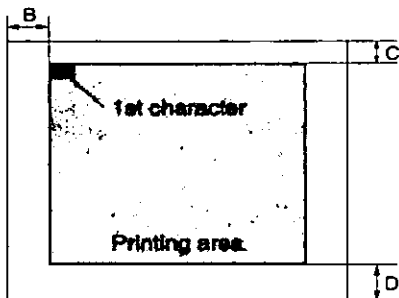
Fanfold paper



	Fanfold Paper
A	1" (25.4 mm)
B	0.7" (17.8 mm)
C	0.33" (8.38 mm)
D	1" (25.4 mm)

- A:** Value A indicates the area near the paper perforations where the quality may not be optimum.
- B:** Value B indicates the maximum distance between the sprockets and first printable character. (When the left tractor is set on the left end and the margin is set to 0.)
- C:** Value C indicates the area from the top edge of the paper to the top of the first printed character.
- D:** Value D indicates the position where paper out is detected and printing may not be optimum.

Single Sheets and Envelopes



	Single Sheets and Envelopes
B	1.5" (38 mm)
C	0.33" (8.38 mm)
D	1" (25.4 mm)

- B:** Value B indicates the minimum distance between the edge of the paper and the first printable character. (When the left paper guide is set to the left end and the margin is set to 0.)
- C:** Value C indicates the area from the top edge of the paper to the top of the first printed character.
- D:** Value D indicates the position where paper out is detected and printing may not be optimum. (When printing on envelopes, do not print on area where edges overlap. Print quality may not be optimum.)

Interfacing

Parallel Interfacing

Communication with a computer is accomplished through a parallel interface based on the Centronics standard.

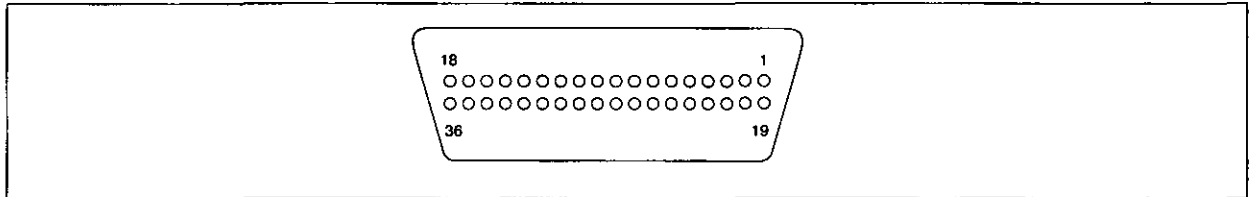
Specifications:

- data transfer speed: 1000 cps minimum
- synchronization: external STROBE pulse
- logic levels: TTL (Transistor-Transistor-Logic) levels
- handshaking: BUSY and ACK signals
- connector type: 57-30360 (AMPHENOL) or equivalent
- cable: use a shielded cable (6'5"/1.95 meters) or less in length.

When the printer is processing data, the BUSY signal is high. The printer will not accept new data from the computer. After the processing is completed, the BUSY signal goes low. (The BUSY signal is also high when the printer is OFF LINE). When the busy signal occurs, the ACK signal goes low indicating to the computer that the data has been processed and the printer is ready to accept more data. This handshaking routine occurs each time a character is sent to the printer.

	BUSY	SLCT	PO	ERROR
ON LINE	LOW	HIGH	LOW	HIGH
OFF LINE	HIGH	LOW	LOW	LOW
PAPER OUT	HIGH	LOW	HIGH	LOW

Printer Status signals



Parallel Interface Connector (Printer side)

Signal pin	Return side pin	Signal	Direction
1	19	STB	Input
2	20	DATA 1	
3	21	DATA 2	
4	22	DATA 3	
5	23	DATA 4	
6	24	DATA 5	
7	25	DATA 6	
8	26	DATA 7	
9	27	DATA 8	
10	28	ACK	Output
11	29	BUSY	
12		PO	

Signal pin	Return side pin	Signal	Direction
13		SLCT	Output
14		AUTO FEED XT	Input
15			
16		SG	
17		FG	
18		+5 V	Output
31	30	PRIME	Input
32		ERROR	Output
33		SG	
34			
35			
36			

Pin Configuration (Parallel)

Connector pin signals

$\overline{\text{STB}}$...STROBE

- This is a synchronizing input signal to read data into the printer.
- This signal is normally high. Data is read in when it is low.

DATA1-DATA8

- These are the input signals which carry the 8 data bits of information.
- The signal is read in synchronization with the STROBE pulse. A high level indicates a logical "1".

$\overline{\text{ACK}}$...ACKNOWLEDGE

- This is an output signal to the computer indicating that the printer is ready to receive the next data. When the condition becomes true, the signal goes low.
- The $\overline{\text{ACK}}$ signal is automatically sent whenever the printer is switched ON LINE and the BUSY signal drops from high to low.

BUSY

- This output signal indicates the status of the printer cannot receive data.
- The signal is high under the following conditions:
 1. receive buffer full
 2. printer is processing data
 3. printer is OFF LINE
 4. printer is in an error condition

PO...PAPER OUT

- This output signal indicates the absence of paper and goes high during a "Paper Out" condition.

SLCT...SELECT

- This output signal is high in the ON LINE state and low when OFF LINE.
- The printer enters the ON LINE state:
 1. When the printer is turned on
 2. when PRIME is received
 3. when the RESET command is received
 4. when the ON LINE switch is pressed
- The printer enters the OFF LINE state:
 1. when the printer is out of paper
 2. when the printer is switched OFF LINE

$\overline{\text{AUTO FEED XT}}$ (AFXT)

- While this input signal is low, one line feed (LF) command will be added to each carriage return (CR).
- Auto LF setting in the Function mode can alter the response by the printer to an $\overline{\text{AFXT}}$ signal. If auto LF is ON, the printer will perform a CR+LF regardless of the level of the $\overline{\text{AFXT}}$ signal. When auto LF is OFF, automatic action is disabled.

SG...SIGNAL GROUND

- The twisted pair return wires (pins 19~30) are connected to signal ground.

FG...FRAME GROUND

- Frame ground is the same as chassis ground.

+5V

- This is for evaluation only. It should not be used to supply power for external equipment.

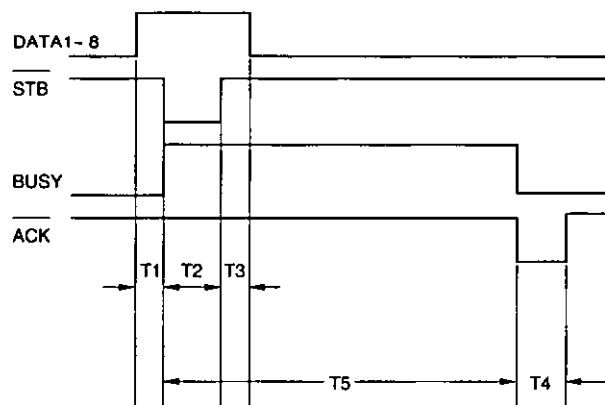
PRIME

- This input signal is normally high and goes low to reset the printer. It can be received anytime during printer operation.

ERROR

- This output signal is normally high, and goes low when an error occurs. An error condition can be caused by:
 1. a "Paper Out" condition
 2. the printer is OFF LINE
 3. an overload condition exists

Timing Chart (When normal printing code is received)



- T1...0.5 μ s (Min)
- T2...1 μ s (Min)
- T3...0.5 μ s (Min)
- T4...5 μ s (Max)
- T5...1 ms or less when buffer is not full
1 s or less when buffer is full

Timing Diagram

Initialization

The printer is initialized under the following conditions:

- the AC power is turned on
- the **PRIME** signal is received
- the **RESET PRINTER** command is received
- the clear buffer function is used

When the printer is initialized, the following conditions are set:

- the print buffer is cleared
- the receive buffer is cleared (not cleared by **RESET PRINTER** command)
- the download character buffer is cleared (not cleared by **PRIME** signal in IBM Proprinter X24E mode or by **RESET PRINTER** command)
- horizontal tabs are set every 8 columns
- vertical tab settings are cleared
- all modes set by control and escape commands will be cleared
- present form position is designated as top of form
- the Self Test mode is cleared
- the Control Panel settings are read and set
- Control Panel settings are not changed by **PRIME** signal or **RESET PRINTER** command*
- the printhead goes to the home position

* Some software packages send **PRIME** signal at the beginning of their programs. Print modes set by the Control Panel will not change.

User Clear Function

This function initializes the printer from the Control Panel. This feature is very useful when you want to clear the receive buffer (information recently sent from the computer and is currently printing) without changing the Control Panel.

1. Press **ON LINE** to stop the printing and enter the OFF LINE mode.
2. While pressing **FONT** , press **ON LINE** to clear the data in the receive buffer.
3. Press **ON LINE** to re-enter the ON LINE mode.

Hex Dump

In this mode, all data received from the computer is printed in hex code instead of the normal ASCII characters. Function codes for the printer (CR, LF, HT, etc.) are not executed. This mode is very useful to debug programs.

To enter the Hex Dump mode:

While pressing **FONT** , turn the **power on**.

To release the Hex Dump mode:

Turn the **power off**, then back on.

Character Set Tables

Epson Italic Character Set (USA)

Dec.	0	16	32	48	64	80	96	112	128	144	160	176	192	208	224	240	Hex.																							
																	0	1	2	3	4	5	6	7	8	9	A	B	C	D	E	F								
0	0	NUL		SP	0	•	P	'	p		SP	0	•	P	'	p																								
1	1		DC1	!	1	A	Q	a	q		DC1	!	1	A	Q	a	q																							
2	2		DC2	"	2	B	R	b	r		DC2	"	2	B	R	b	r																							
3	3		DC3	#	3	C	S	c	s		DC3	#	3	C	S	c	s																							
4	4		DC4	\$	4	D	T	d	t		DC4	\$	4	D	T	d	t																							
5	5			%	5	E	U	e	u			%	5	E	U	e	u																							
6	6			&	6	F	V	f	v			&	6	F	V	f	v																							
7	7			'	7	G	W	g	w	BEL		'	7	G	W	g	w																							
8	B	BS	CAN	(8	H	X	h	x	BS	CAN	(8	H	X	h	x																							
9	9	HT	EM)	9	I	Y	i	y	HT	EM)	9	I	Y	i	y																							
10	A	LF		*	: J Z j z	LF		* : J Z j z	LF		* : J Z j z	LF		* : J Z j z	LF		* : J Z j z																							
11	B	VT	ESC	+	: K [k {	VT	ESC	+ : K [k {	VT	ESC	+ : K [k {	VT	ESC	+ : K [k {	VT	ESC	+ : K [k {																							
12	C	FF		.	< L \ !	FF		.	< L \ !	FF		.	< L \ !	FF		.	< L \ !																							
13	D	CR		-	= M] m }	CR		-	= M] m }	CR		-	= M] m }	CR		-	= M] m }																							
14	E	SO		.	> N ^ n ^	SO		.	> N ^ n ^	SO		.	> N ^ n ^	SO		.	> N ^ n ^																							
15	F	SI		/	? O _ o	DEL	SI	/	? O _ o	DEL	SI	/	? O _ o	DEL	SI	/	? O _ o																							

Epson Graphic Character Set 2 (USA)

Dec.	0	16	32	48	64	80	96	112	128	144	160	176	192	208	224	240	Hex.																						
																	0	1	2	3	4	5	6	7	8	9	A	B	C	D	E	F							
0	0	NUL		SP	0	•	P	'	p	Ç	É	á		⌌	⌌	α	µ																						
1	1		DC1	!	1	A	Q	a	q	ú	â	í		⌌	⌌	β	±																						
2	2		DC2	"	2	B	R	b	r	é	Æ	ó		⌌	⌌	Γ	≥																						
3	3		DC3	#	3	C	S	c	s	á	ð	ú		⌌	⌌	π	≤																						
4	4		DC4	\$	4	D	T	d	t	á	ð	ñ		⌌	⌌	Σ	∫																						
5	5			%	5	E	U	e	u	â	ó	Ñ		⌌	⌌	σ	∫																						
6	6			&	6	F	V	f	v	á	ú	â		⌌	⌌	μ	+																						
7	7			'	7	G	W	g	w	ç	ú	â		⌌	⌌	τ	∞																						
8	8	BS	CAN	(8	H	X	h	x	é	ý	ç		⌌	⌌	φ	•																						
9	9	HT	EM)	9	I	Y	i	y	è	Û			⌌	⌌	θ	•																						
10	A	LF		.	: J Z j z	LF		.	: J Z j z	è	Û			⌌	⌌	Ω	.																						
11	B	VT	ESC	+	: K [k {	VT	ESC	+ : K [k {	VT	ESC	+ : K [k {	VT	ESC	+ : K [k {	VT	ESC	δ	√																					
12	C	FF		.	< L \ !	FF		.	< L \ !	Ë	¼			⌌	⌌	∞	∞																						
13	D	CR		-	= M] m }	CR		-	= M] m }	Ï	Û			⌌	⌌	σ	z																						
14	E	SO		.	> N ^ n ^	SO		.	> N ^ n ^	Ä	Þ	<<		⌌	⌌	ε	■																						
15	F	SI		/	? O _ o	DEL	SI	/	? O _ o	DEL	Ä	f	>>	⌌	⌌	∞	∞																						

Note:

- Set 1 is the same one which 80H~9FH is switched to 00H~1FH.

Epson Character Set 2 (Multilingual)

Dec.	0	16	32	48	64	80	96	112	128	144	160	176	192	208	224	240	Hex.																							
																	0	1	2	3	4	5	6	7	8	9	A	B	C	D	E	F								
0	0	NUL		SP	0	•	P	'	p	Ç	É	á		⌌	⌌	Ó	-																							
1	1		DC1	!	1	A	Q	a	q	ú	â	í		⌌	⌌	Ò	±																							
2	2		DC2	"	2	B	R	b	r	é	Æ	ó		⌌	⌌	É	Ó	=																						
3	3		DC3	#	3	C	S	c	s	á	ð	ú		⌌	⌌	È	Ó	?																						
4	4		DC4	\$	4	D	T	d	t	á	ð	ñ		⌌	⌌	É	ó	¶																						
5	5			%	5	E	U	e	u	â	ó	Ñ	Á		⌌	⌌	Ì	Ö	§																					
6	6			&	6	F	V	f	v	á	ú	â	Ä	ä		⌌	⌌	Î	µ	+																				
7	7			'	7	G	W	g	w	ç	ú	â	Ä	ä		⌌	⌌	Î	µ	+																				
8	8	BS	CAN	(8	H	X	h	x	é	ý	ç	ö		⌌	⌌	Ï	•																						
9	9	HT	EM)	9	I	Y	i	y	è	Û				⌌	⌌	Ï	•																						
10	A	LF		.	: J Z j z	LF		.	: J Z j z	è	Û				⌌	⌌	Ï	•																						
11	B	VT	ESC	+	: K [k {	VT	ESC	+ : K [k {	VT	ESC	+ : K [k {	VT	ESC	+ : K [k {	VT	ESC	Û	•																						
12	C	FF		.	< L \ !	FF		.	< L \ !	Ë	¼				⌌	⌌	Ï	•																						
13	D	CR		-	= M] m }	CR		-	= M] m }	Ï	Û				⌌	⌌																								

Epson Character Set 2 (Canada-French)

Dec.	0	16	32	48	64	80	96	112	128	144	160	176	192	208	224	240
Hex.	0	1	2	3	4	5	6	7	8	9	A	B	C	D	E	F
0	0	NUL	SP	0	Ø	P	·	p	Ç	É	Í	⋮	⋮	⋮	α	ω
1	1	DC1	!	1	A	Q	a	q	û	É	·	⋮	⋮	⋮	β	±
2	2	DC2	"	2	B	R	b	r	æ	É	ó	⋮	⋮	⋮	Γ	≥
3	3	DC3	#	3	C	S	c	s	À	ó	ú	⋮	⋮	⋮	π	≤
4	4	DC4	\$	4	D	T	d	t	À	É	·	⋮	⋮	⋮	Σ	∫
5	5		%	5	E	U	e	u	à	í	·	⋮	⋮	⋮	σ	∫
6	6		&	6	F	V	f	v	á	ú	3	⋮	⋮	⋮	μ	+
7	7		'	7	G	W	g	w	ç	ú	·	⋮	⋮	⋮	τ	-
8	8	BS CAN	(8	H	X	h	x	ø	í	·	⋮	⋮	⋮	φ	·
9	9	HT EM)	9	I	Y	i	y	ø	ó	·	⋮	⋮	⋮	θ	·
10	A	LF	.	:	J	Z	j	z	ø	ú	·	⋮	⋮	⋮	Ω	·
11	B	VT ESC	+	:	K	[k	[í	ç	½	⋮	⋮	⋮	δ	√
12	C	FF	.	<	L	\	l	l	í	É	½	⋮	⋮	⋮	∞	∞
13	D	CR	-	=	M]	m]	í	ú	½	⋮	⋮	⋮	ø	z
14	E	SO	.	>	N	^	n	^	À	ú	<<	⋮	⋮	⋮	ε	■
15	F	SI	/	?	O	_	o	_	À	f	>>	⋮	⋮	⋮	∩	SP

Epson Character Set 2 (Norway)

Dec.	0	16	32	48	64	80	96	112	128	144	160	176	192	208	224	240
Hex.	0	1	2	3	4	5	6	7	8	9	A	B	C	D	E	F
0	0	NUL	SP	0	Ø	P	·	p	Ç	É	á	⋮	⋮	⋮	α	ω
1	1	DC1	!	1	A	O	a	q	û	æ	í	⋮	⋮	⋮	β	±
2	2	DC2	"	2	B	R	b	r	æ	Æ	ó	⋮	⋮	⋮	Γ	≥
3	3	DC3	#	3	C	S	c	s	À	ó	ú	⋮	⋮	⋮	π	≤
4	4	DC4	\$	4	D	T	d	t	á	ó	ñ	⋮	⋮	⋮	Σ	∫
5	5		%	5	E	U	e	u	á	ó	Ñ	⋮	⋮	⋮	σ	∫
6	6		&	6	F	V	f	v	á	ú	á	⋮	⋮	⋮	μ	+
7	7		'	7	G	W	g	w	ç	ú	·	⋮	⋮	⋮	τ	-
8	8	BS CAN	(8	H	X	h	x	ø	ý	í	⋮	⋮	⋮	φ	·
9	9	HT EM)	9	I	Y	i	y	ø	ó	·	⋮	⋮	⋮	θ	·
10	A	LF	.	:	J	Z	j	z	ø	ú	·	⋮	⋮	⋮	Ω	·
11	B	VT ESC	+	:	K	[k	[í	ø	½	⋮	⋮	⋮	δ	√
12	C	FF	.	<	L	\	l	l	í	É	½	⋮	⋮	⋮	∞	∞
13	D	CR	-	=	M]	m]	í	ø	í	⋮	⋮	⋮	ø	z
14	E	SO	.	>	N	^	n	^	À	Pr	<<	⋮	⋮	⋮	ε	■
15	F	SI	/	?	O	_	o	_	À	f	ø	⋮	⋮	⋮	∩	SP

Note:

- Set 1 is the same one which 80H~9FH is switched to 00H~1FH.

Epson Character Set 2 (Turkey)

Dec.	0	16	32	48	64	80	96	112	128	144	160	176	192	208	224	240
Hex.	0	1	2	3	4	5	6	7	8	9	A	B	C	D	E	F
0	0	NUL	SP	0	Ø	P	·	p	Ç	É	á	⋮	⋮	⋮	α	ω
1	1	DC1	!	1	A	Q	a	q	û	æ	í	⋮	⋮	⋮	β	±
2	2	DC2	"	2	B	R	b	r	æ	Æ	ó	⋮	⋮	⋮	Γ	≥
3	3	DC3	#	3	C	S	c	s	À	ó	ú	⋮	⋮	⋮	π	≤
4	4	DC4	\$	4	D	T	d	t	á	ó	ñ	⋮	⋮	⋮	Σ	∫
5	5		%	5	E	U	e	u	á	ó	Ñ	⋮	⋮	⋮	σ	∫
6	6		&	6	F	V	f	v	á	ú	ö	⋮	⋮	⋮	μ	+
7	7		'	7	G	W	g	w	ç	ú	·	⋮	⋮	⋮	τ	-
8	8	BS CAN	(8	H	X	h	x	ø	í	í	⋮	⋮	⋮	φ	·
9	9	HT EM)	9	I	Y	i	y	ø	ó	·	⋮	⋮	⋮	θ	·
10	A	LF	.	:	J	Z	j	z	ø	ú	·	⋮	⋮	⋮	Ω	·
11	B	VT ESC	+	:	K	[k	[í	ç	½	⋮	⋮	⋮	δ	√
12	C	FF	.	<	L	\	l	l	í	É	½	⋮	⋮	⋮	∞	∞
13	D	CR	-	=	M]	m]	í	v	í	⋮	⋮	⋮	ø	z
14	E	SO	.	>	N	^	n	^	À	§	<<	⋮	⋮	⋮	ε	■
15	F	SI	/	?	O	_	o	_	DEL	À	§	>>	⋮	⋮	∩	SP

Note:

- Set 1 is the same one which 80H~9FH is switched to 00H~1FH.

Character Set Tables

IBM Character Set 2 (USA)

Dec.	0	16	32	48	64	80	96	112	128	144	160	176	192	208	224	240
Hex.	0	1	2	3	4	5	6	7	8	9	A	B	C	D	E	F
0	NUL		SP		Q	P		p	Ç	É	á		L	l	α	=
1		DC1		1	A	O	a	q	ü	ø	í				β	±
2		DC2		2	B	R	b	r	é	Æ	ó				Γ	≥
3				3	C	S	c	s	á	ô	ú				x	≤
4		DC4	\$	4	D	T	d	t	á	ò	ñ				Σ	∫
5		▲	%	5	E	U	e	u	á	ò	Ñ				F	σ
6		▲	&	6	F	V	f	v	á	ú	ø				μ	+
7				7	G	W	g	w	ç	ù	ø				τ	=
8	BS	(8	H	X	h	x	é	ÿ	¿				Φ	°	
9	HT)	9	I	Y	y	é	Ï						Θ	•	
10	A	LF	:	J	Z	j	z	è	Û					Ω	•	
11	B	VT	ESC	+	K		k	{	ï	ç	½			δ	√	
12	C	FF	.	<	L	\	l	l	l	l	l	l	l	∞	^	
13	D	CR	-	=	M]	m	}	ì	í	í			ø	z	
14	E	SO	.	>	N	^	n	^	À	Pl	<<			ε	■	
15	F	SI	/	?	O	_	o		Á	f	>>			π	SP	

Note:

- Set 1 is the same one which 03H~06H and 15H are switched to NUL, and 80H~9FH is switched to 00H~1FH.

IBM All Character Chart (USA)

Dec.	0	16	32	48	64	80	96	112	128	144	160	176	192	208	224	240
Hex.	0	1	2	3	4	5	6	7	8	9	A	B	C	D	E	F
0	NUL		SP		Q	P		p	Ç	É	á		L	l	α	=
1		◀		1	A	O	a	q	ü	ø	í				β	±
2		⬇		2	B	R	b	r	é	Æ	ó				Γ	≥
3			#	3	C	S	c	s	á	ô	ú				x	≤
4		¶	\$	4	D	T	d	t	á	ò	ñ				Σ	∫
5		▲	%	5	E	U	e	u	á	ò	Ñ				F	σ
6		▲	&	6	F	V	f	v	á	ú	ø				μ	+
7		⋮		7	G	W	g	w	ç	ù	ø				τ	=
8	BS	↑	(8	H	X	h	x	é	ÿ	¿			Φ	°	
9	HT	◊)	9	I	Y	y	é	Ï					Θ	•	
10	A	→	:	J	Z	j	z	è	Û					Ω	•	
11	B	↵	+	K		k	{	ï	ç	½				δ	√	
12	C	♀	.	<	L	\	l	l	l	l	l	l	l	∞	^	
13	D	↔	-	=	M]	m	}	ì	í	í			ø	z	
14	E	♣	.	>	N	^	n	^	À	Pl	<<			ε	■	
15	F	♠	/	?	O	_	o		Á	f	>>			π	SP	

IBM Character Set 2 (Multilingual)

Dec.	0	16	32	48	64	80	96	112	128	144	160	176	192	208	224	240
Hex.	0	1	2	3	4	5	6	7	8	9	A	B	C	D	E	F
0	NUL		SP		Q	P		p	Ç	É	á		L	ð	Ó	-
1		DC1		1	A	O	a	q	ü	ø	í				Ð	±
2		DC2		2	B	R	b	r	é	Æ	ó				É	Ó
3				3	C	S	c	s	á	ô	ú				É	Ó
4		DC4	\$	4	D	T	d	t	á	ò	ñ				É	ø
5		▲	%	5	E	U	e	u	á	ò	Ñ	À			Ì	Ô
6		▲	&	6	F	V	f	v	á	ú	ø	Á	à		Ì	μ
7				7	G	W	g	w	ç	ù	ø	À	Á		Ì	þ
8	BS	CAN	(8	H	X	h	x	é	ÿ	¿	ø			Ì	þ
9	HT)	9	I	Y	y	é	Ï							Û	-
10	A	LF	:	J	Z	j	z	è	Û						Û	•
11	B	VT	ESC	+	K		k	{	ï	ç	½				Û	•
12	C	FF	.	<	L	\	l	l	l	l	l	l	l	∞	ý	•
13	D	CR	-	=	M]	m	}	ì	í	í				Ý	z
14	E	SO	.	>	N	^	n	^	À	x	<<	∞			ì	•
15	F	SI	/	?	O	_	o		Á	f	>>				ì	•

Note:

- Set 1 is the same one which 03H~06H and 15H are switched to NUL, and 80H~9FH is switched to 00H~1FH.

IBM All Character (Multilingual)

Dec.	0	16	32	48	64	80	96	112	128	144	160	176	192	208	224	240
Hex.	0	1	2	3	4	5	6	7	8	9	A	B	C	D	E	F
0	NUL		SP		Q	P		p	Ç	É	á		L	ð	Ó	-
1		◀		1	A	O	a	q	ü	ø	í				Ð	±
2		⬇		2	B	R	b	r	é	Æ	ó				É	Ó
3			#	3	C	S	c	s	á	ô	ú				É	Ó
4		¶	\$	4	D	T	d	t	á	ò	ñ				É	ø
5		▲	%	5	E	U	e	u	á	ò	Ñ	À			Ì	Ô
6		▲	&	6	F	V	f	v	á	ú	ø	Á	à		Ì	μ
7		⋮		7	G	W	g	w	ç	ù	ø	À	Á		Ì	þ
8	BS	↑	(8	H	X	h	x	é	ÿ	¿	ø			Ì	þ
9	HT	◊)	9	I	Y	y	é	Ï						Û	-
10	A	→	:	J	Z	j	z	è	Û						Û	•
11	B	↵	+	K		k	{	ï	ç	½					Û	•
12	C	♀	.	<	L	\	l	l	l	l	l	l	l	∞	ý	•
13	D	↔	-	=	M]	m	}	ì	í	í				Ý	z
14	E	♣	.	>	N	^	n	^	À	x	<<	∞			ì	•
15	F	♠	/	?	O	_	o		Á	f	>>				ì	•

IBM Character Set 2 (Portugal)

Dec.																	
	0	16	32	48	64	80	96	112	128	144	160	176	192	208	224	240	
	Hex.	0	1	2	3	4	5	6	7	8	9	A	B	C	D	E	F
0	0	NUL		SP	0	Ø	P	.	p	Ç	É	á		L		α	#
1	1		DC1		1	A	O	a	q	ú	À	í				β	±
2	2		DC2	.	2	B	R	b	r	é	Ê	ó				Γ	≥
3	3			#	3	C	S	c	s	á	ô	ú				κ	≤
4	4	.	DC4	\$	4	D	T	d	t	à	õ	ñ				Σ	∫
5	5	.	\$	%	5	E	U	e	u	à	ò	Ñ				σ	∫
6	6	.		&	6	F	V	f	v	Á	Ú	ã				μ	+
7	7			'	7	G	W	g	w	ç	ú	ø				τ	-
8	8	BS		(B	H	X	h	x	é	í	¿				φ	.
9	9	HT)	9	I	Y	i	y	Ê	Ô	Û				θ	.
10	A	LF		:	J	Z	j	z	ê	Û						Ω	.
11	B	VT	ESC	+	:	K		k		í	ç	½				δ	√
12	C	FF		.	<	L	\	l	l	ó	é	¼				-	.
13	D	CR		-	=	M		m		ú	í					ø	z
14	E	SO		.	>	N	^	n	-	À	Ù	<<				ε	■
15	F	SI		/	?	O	_	o		Â	Ó	>>				∩	SP

Note:

- Set 1 is the same one which 03H~06H and 15H are switched to NUL, and 80H~9FH is switched to 00H~1FH.

IBM All Character (Portugal)

Dec.																	
	0	16	32	48	64	80	96	112	128	144	160	176	192	208	224	240	
	Hex.	0	1	2	3	4	5	6	7	8	9	A	B	C	D	E	F
0	0	Ø	▶	SP	0	Ø	P	.	p	Ç	É	á		L		α	#
1	1	◊	◄		1	A	O	a	q	ú	À	í				β	±
2	2	⦿	↑	.	2	B	R	b	r	é	Ê	ó				Γ	≥
3	3	∇		#	3	C	S	c	s	á	ô	ú				κ	≤
4	4	.	¶	\$	4	D	T	d	t	à	õ	ñ				Σ	∫
5	5	.	\$	%	5	E	U	e	u	à	ò	Ñ				σ	∫
6	6	.		&	6	F	V	f	v	Á	Ú	ã				μ	+
7	7	.	∩	'	7	G	W	g	w	ç	ú	ø				τ	-
8	8	◻	↑	(B	H	X	h	x	é	í	¿				φ	.
9	9	◊	↓)	9	I	Y	i	y	Ê	Ô	Û				θ	.
10	A	◻	→	:	J	Z	j	z	ê	Û						Ω	.
11	B	♂	←	+	:	K		k		í	ç	½				δ	√
12	C	♀	←	.	<	L	\	l	l	ó	é	¼				-	.
13	D	♂	↔	-	=	M		m		ú	í					ø	z
14	E	♂	▲	.	>	N	^	n	-	À	Ù	<<				ε	■
15	F	◊	▼	/	?	O	_	o		Ô	Â	Ó	>>			∩	SP

IBM Character Set 2 (Canada-French)

Dec.																	
	0	16	32	48	64	80	96	112	128	144	160	176	192	208	224	240	
	Hex.	0	1	2	3	4	5	6	7	8	9	A	B	C	D	E	F
0	0	NUL		SP	0	Ø	P	.	p	Ç	É	í		L		α	#
1	1		DC1		1	A	Q	a	q	ú	È	'				β	±
2	2		DC2	.	2	B	R	b	r	é	Ê	ó				Γ	≥
3	3			#	3	C	S	c	s	á	ô	ú				κ	≤
4	4	.	DC4	\$	4	D	T	d	t	À	È	"				Σ	∫
5	5	.	\$	%	5	E	U	e	u	à	í	'				σ	∫
6	6	.		&	6	F	V	f	v	ú	3					μ	+
7	7			'	7	G	W	g	w	ç	ú	'				τ	-
8	8	BS		(B	H	X	h	x	é	í	¿				φ	.
9	9	HT)	9	I	Y	i	y	è	Ô	Û				θ	.
10	A	LF		:	J	Z	j	z	ê	Û						Ω	.
11	B	VT	ESC	+	:	K		k		í	ç	½				δ	√
12	C	FF		.	<	L	\	l	l	ó	é	¼				-	.
13	D	CR		-	=	M		m		ú	í					ø	z
14	E	SO		.	>	N	^	n	-	À	Ù	<<				ε	■
15	F	SI		/	?	O	_	o		Â	Ó	>>				∩	SP

Note:

- Set 1 is the same one which 03H~06H and 15H are switched to NUL, and 80H~9FH is switched to 00H~1FH.

IBM All Character (Canada-French)

Dec.																	
	0	16	32	48	64	80	96	112	128	144	160	176	192	208	224	240	
	Hex.	0	1	2	3	4	5	6	7	8	9	A	B	C	D	E	F
0	0	Ø	▶	SP	0	Ø	P	.	p	Ç	É	í		L		α	#
1	1	◊	◄		1	A	Q	a	q	ú	È	'				β	±
2	2	⦿	↑	.	2	B	R	b	r	é	Ê	ó				Γ	≥
3	3	∇		#	3	C	S	c	s	á	ô	ú				κ	≤
4	4	.	¶	\$	4	D	T	d	t	À	È	"				Σ	∫
5	5	.	\$	%	5	E	U	e	u	à	í	'				σ	∫
6	6	.		&	6	F	V	f	v	ú	3					μ	+
7	7	.	∩	'	7	G	W	g	w	ç	ú	'				τ	-
8	8	◻	↑	(B	H	X	h	x	é	í	¿				φ	.
9	9	◊	↓)	9	I	Y	i	y	è	Ô	Û				θ	.
10	A	◻	→	:	J	Z	j	z	ê	Û						Ω	.
11	B	♂	←	+	:	K		k		í	ç	½				δ	√
12	C	♀	←	.	<	L	\	l	l	ó	é	¼				-	.
13	D	♂	↔	-	=	M		m		ú	í					ø	z
14	E	♂	▲	.	>	N	^	n	-	À	Ù	<<				ε	■
15	F	◊	▼	/	?	O	_	o		Ô	Â	Ó	>>			∩	SP

Character Set Tables

IBM Character Set 2 (Norway)

Dec.	0	16	32	48	64	80	96	112	128	144	160	176	192	208	224	240
Hex.	0	1	2	3	4	5	6	7	8	9	A	B	C	D	E	F
0	0	NUL		SP	0	ø	P	'	p	Ç	É	á	•	•	•	•
1	1		DC1	!	1	A	Q	a	q	ü	æ	í	•	•	•	•
2	2		DC2	*	2	B	R	b	r	é	Æ	ó	•	•	•	•
3	3	▼		#	3	C	S	c	s	á	ò	ú	•	•	•	•
4	4	*	DC4	\$	4	D	T	d	t	ä	ö	ñ	•	•	•	•
5	5	▲		%	5	E	U	e	u	å	ö	ñ	•	•	•	•
6	6	▲		&	6	F	V	f	v	ä	ü	å	•	•	•	•
7	7			'	7	G	W	g	w	ç	ú	ø	•	•	•	•
8	8	BS		(8	H	X	h	x	é	ÿ	¿	•	•	•	•
9	9	HT)	9	I	Y	i	y	ê	Û	•	•	•	•	•
10	A	LF		*	:	J	Z	j	z	è	Ü	•	•	•	•	•
11	B	VT	ESC	+	:	K	[k	{	ï	•	½	•	•	•	•
12	C	FF		.	<	L	\	l		í	•	½	•	•	•	•
13	D	CR		-	=	M] m	}		•	•	•	•	•	•	•
14	E	SO		.	>	N	^	n	~	Á	•	•	•	•	•	•
15	F	SI		/	?	O	_	o	•	Á	•	•	•	•	•	•

Note:

- Set 1 is the same one which 03H~06H and 15H are switched to NUL, and 80H~9FH is switched to 00H~1FH.

IBM All Character (Norway)

Dec.	0	16	32	48	64	80	96	112	128	144	160	176	192	208	224	240
Hex.	0	1	2	3	4	5	6	7	8	9	A	B	C	D	E	F
0	0	ø	▶	SP	0	ø	P	'	p	Ç	É	á	•	•	•	•
1	1	◀	!	1	A	Q	a	q	ü	æ	í	•	•	•	•	•
2	2	•	↑	*	2	B	R	b	r	é	Æ	ó	•	•	•	•
3	3	▼		#	3	C	S	c	s	á	ò	ú	•	•	•	•
4	4	*		\$	4	D	T	d	t	ä	ö	ñ	•	•	•	•
5	5	▲	\$	%	5	E	U	e	u	å	ö	ñ	•	•	•	•
6	6	▲	•	&	6	F	V	f	v	ä	ü	å	•	•	•	•
7	7	*	↑	'	7	G	W	g	w	ç	ú	ø	•	•	•	•
8	8	◻	↑	(8	H	X	h	x	é	ÿ	¿	•	•	•	•
9	9	◊	↓)	9	I	Y	i	y	ê	Û	•	•	•	•	•
10	A	◻	→	*	:	J	Z	j	z	è	Ü	•	•	•	•	•
11	B	♂	←	+	:	K	[k	{	ï	•	½	•	•	•	•
12	C	♀	↓	.	<	L	\	l		í	•	½	•	•	•	•
13	D	♂	↔	-	=	M] m	}		•	•	•	•	•	•	•
14	E	♂	▲	.	>	N	^	n	~	Á	•	•	•	•	•	•
15	F	◊	▼	/	?	O	_	o	◊	Á	•	•	•	•	•	•

IBM Character Set 2 (Turkey)

Dec.	0	16	32	48	64	80	96	112	128	144	160	176	192	208	224	240
Hex.	0	1	2	3	4	5	6	7	8	9	A	B	C	D	E	F
0	0	NUL		SP	0	ø	P	'	p	Ç	É	á	•	•	•	•
1	1		DC1	!	1	A	Q	a	q	ü	æ	í	•	•	•	•
2	2		DC2	*	2	B	R	b	r	é	Æ	ó	•	•	•	•
3	3	▼		#	3	C	S	c	s	á	ò	ú	•	•	•	•
4	4	*	DC4	\$	4	D	T	d	t	ä	ö	ñ	•	•	•	•
5	5	▲		%	5	E	U	e	u	å	ö	ñ	•	•	•	•
6	6	▲		&	6	F	V	f	v	ä	ü	å	•	•	•	•
7	7			'	7	G	W	g	w	ç	ú	ø	•	•	•	•
8	8	BS		(8	H	X	h	x	é	ÿ	¿	•	•	•	•
9	9	HT)	9	I	Y	i	y	ê	Û	•	•	•	•	•
10	A	LF		*	:	J	Z	j	z	è	Ü	•	•	•	•	•
11	B	VT	ESC	+	:	K	[k	{	ï	•	½	•	•	•	•
12	C	FF		.	<	L	\	l		í	•	½	•	•	•	•
13	D	CR		-	=	M] m	}		•	•	•	•	•	•	•
14	E	SO		.	>	N	^	n	~	Á	•	•	•	•	•	•
15	F	SI		/	?	O	_	o	◊	Á	•	•	•	•	•	•

Note:

- Set 1 is the same one which 03H~06H and 15H are switched to NUL, and 80H~9FH is switched to 00H~1FH.

IBM All Character (Turkey)

Dec.	0	16	32	48	64	80	96	112	128	144	160	176	192	208	224	240
Hex.	0	1	2	3	4	5	6	7	8	9	A	B	C	D	E	F
0	0	ø	▶	SP	0	ø	P	'	p	Ç	É	á	•	•	•	•
1	1	◀	!	1	A	Q	a	q	ü	æ	í	•	•	•	•	•
2	2	•	↑	*	2	B	R	b	r	é	Æ	ó	•	•	•	•
3	3	▼		#	3	C	S	c	s	á	ò	ú	•	•	•	•
4	4	*		\$	4	D	T	d	t	ä	ö	ñ	•	•	•	•
5	5	▲	\$	%	5	E	U	e	u	å	ö	ñ	•	•	•	•
6	6	▲	•	&	6	F	V	f	v	ä	ü	å	•	•	•	•
7	7	*	↑	'	7	G	W	g	w	ç	ú	ø	•	•	•	•
8	8	◻	↑	(8	H	X	h	x	é	ÿ	¿	•	•	•	•
9	9	◊	↓)	9	I	Y	i	y	ê	Û	•	•	•	•	•
10	A	◻	→	*	:	J	Z	j	z	è	Ü	•	•	•	•	•
11	B	♂	←	+	:	K	[k	{	ï	•	½	•	•	•	•
12	C	♀	↓	.	<	L	\	l		í	•	½	•	•	•	•
13	D	♂	↔	-	=	M] m	}		•	•	•	•	•	•	•
14	E	♂	▲	.	>	N	^	n	~	Á	•	•	•	•	•	•
15	F	◊	▼	/	?	O	_	o	◊	Á	•	•	•	•	•	•

International Character Set

	n	35o 23h	36o 24h	64o 40h	91o 5Bh	92o 5Ch	93o 5Dh	94o 5Eh	98o 60h	123o 7Bh	124o 7Ch	125o 7Dh	126o 7Eh	155o 9Bh	157o 9Dh
USA	0	#	\$	©	[\]	'	'	{ }	-	¢	¥				
FRANCE	1	#	\$	à	°	ç	§	'	'	é	ù	è	-	¢	¥
GERMANY	2	#	\$	§	Ä	Ö	Ü	'	'	ä	ö	ü	ß	¢	¥
U.K.	3	£	\$	©	[\]	'	'	{ }	-	¢	¥				
DENMARK I	4	#	\$	©	Æ	Ø	Å	'	'	æ	ø	å	-	¢	¥
SWEDEN	5	#	¤	É	Ä	Ö	Å	Ü	é	ä	ö	å	ü	¢	¥
ITALY	6	#	\$	©	°	\	é	'	ü	à	ò	è	ì	¢	¥
SPAIN I	7	Pt	\$	©	í	Ñ	¿	'	'	ñ	ó	ú	-	¢	¥
JAPAN	8	#	\$	©	[¥]	'	'	{ }	-	¢	¥				
NORWAY	9	#	¤	É	Æ	Ø	Å	Ü	é	æ	ø	å	ü	¢	¥
DENMARK II	10	#	\$	É	Æ	Ø	Å	Ü	é	æ	ø	å	ü	¢	¥
SPAIN II	11	#	\$	á	í	Ñ	¿	é	'	í	ñ	ó	ú	¢	¥
LATIN AMERICA	12	#	\$	á	í	Ñ	¿	é	ü	í	ñ	ó	ú	¢	¥
KOREA	13	#	\$	©	[₩]	'	'	{ }	-	¢	¥				
LEGAL	64	#	\$	§	"	'	"	¶	'	©	®	†	™	¢	¥

- Note:**
- *1 These characters can be changed only in the Epson LQ-850 mode. In the IBM Proprinter X24E mode, International Character Set is set to USA and it can not be changed.
 - *2 These characters are effective in both Graphic Character Set 2 of the Epson LQ-850 and IBM Proprinter X24E modes.

Proportional Spacing Tables

ASCII Character

Epson Mode Characters

ASCII code	Char.	Width	
		Normal	Script
32	SPACE	30	20
33	!	18	12
34	"	30	20
35	#	30	20
36	\$	30	20
37	%	36	24
38	&	36	24
39	'	18	12
40	(24	16
41)	24	16
42	.	30	20
43	+	30	20
44	,	18	12
45	-	30	20
46	.	18	12
47	/	30	20
48	0	30	20
49	1	30	20
50	2	30	20
51	3	30	20
52	4	30	20
53	5	30	20
54	6	30	20
55	7	30	20
56	8	30	20
57	9	30	20
58	:	18	12
59	;	18	12
60	<	30	20
61	=	30	20
62	>	30	20
63	?	30	20
64	@	36	24

ASCII code	Char.	Width	
		Normal	Script
65	A	36	24
66	B	36	24
67	C	36	24
68	D	36	24
69	E	36	24
70	F	36	24
71	G	36	24
72	H	36	24
73	I	24	16
74	J	30	20
75	K	36	24
76	L	36	24
77	M	42	28
78	N	36	24
79	O	36	24
80	P	36	24
81	Q	36	24
82	R	36	24
83	S	36	24
84	T	36	24
85	U	42	28
86	V	36	24
87	W	42	28
88	X	36	24
89	Y	36	24
90	Z	30	20
91	[24	16
92	\	30	20
93]	24	16
94	^	30	20
95	_	30	24
96	`	18	12
97	a	30	20

ASCII code	Char.	Width	
		Normal	Script
98	b	36	24
99	c	30	20
100	d	36	24
101	e	30	20
102	f	24	16
103	g	36	24
104	h	36	24
105	i	18	12
106	j	24	16
107	k	36	24
108	l	18	12
109	m	42	28
110	n	36	24
111	o	30	20
112	p	36	24
113	q	36	24
114	r	30	20
115	s	30	20
116	t	24	16
117	u	36	24
118	v	36	24
119	w	42	28
120	x	30	20
121	y	36	24
122	z	30	20
123	{	24	16
124		18	12
125	}	24	16
126	~	30	20
127	ø	30	20

Compressed PS width is 1/2 of Normal PS.

Unit: 1/360 inch (0.07 mm)

IBM Mode Characters

ASCII code	Char.	Width	
		Normal	Script
32	SPACE	30	
33	!	30	
34	"	30	
35	#	30	
36	\$	30	
37	%	30	
38	&	36	
39	'	18	
40	(30	
41)	30	
42	.	30	
43	+	30	
44	,	30	
45	-	30	
46	.	30	
47	/	30	
48	0	30	
49	1	30	
50	2	30	
51	3	30	
52	4	30	
53	5	30	
54	6	30	
55	7	30	
56	8	30	
57	9	30	

ASCII code	Char.	Width	
		Normal	Script
58	:	30	
59	;	30	
60	<	30	
61	=	30	
62	>	30	
63	?	30	
64	@	30	
65	A	42	
66	B	42	
67	C	42	
68	D	42	
69	E	36	
70	F	36	
71	G	42	
72	H	42	
73	I	24	
74	J	30	
75	K	42	
76	L	36	
77	M	42	
78	N	42	
79	O	42	
80	P	36	
81	Q	42	
82	R	42	
83	S	36	

ASCII code	Char.	Width	
		Normal	Script
84	T	42	
85	U	42	
86	V	42	
87	W	42	
88	X	42	
89	Y	42	
90	Z	36	
91	[30	
92	\	30	
93]	30	
94	^	30	
95	_	30	
96	`	30	
97	a	30	
98	b	36	
99	c	30	
100	d	36	
101	e	30	
102	f	24	
103	g	36	
104	h	36	
105	i	18	
106	j	18	
107	k	36	
108	l	18	
109	m	42	

ASCII code	Char.	Width	
		Normal	Script
110	n	36	
111	o	30	
112	p	36	
113	q	36	
114	r	30	
115	s	30	
116	t	24	
117	u	36	
118	v	36	
119	w	42	
120	x	36	
121	y	36	
122	z	30	
123	{	30	
124		30	
125	}	30	
126	~	30	

Compressed PS width is 1/2 of Normal PS.

Unit: 1/360 inch (0.07 mm)

Special Characters

Epson Mode Characters

ASCII code	Char.	Width	
		Normal	Script
36	°	30	20
48	Ø	30	20
64	§	30	20
91	•	24	16
92	◊	36	24
92	.	18	12
92	W	42	28
93	ˆ	30	20
94	¶	30	20
123	©	36	24
124	®	36	24
124	ø	30	20
125	†	30	20
126	ˆ	30	20
126	™	36	24
128	Ç	36	24
129	û	36	24
130	é	30	20
131	á	30	20
132	â	30	20
133	ã	30	20
134	ä	30	20
135	ç	30	20
136	ê	30	20
137	ë	30	20
138	è	30	20

ASCII code	Char.	Width	
		Normal	Script
139	ï	18	12
140	í	18	12
141	ì	18	12
142	Ā	36	24
143	Ă	36	24
144	Ĕ	36	24
145	æ	42	28
146	Æ	42	28
147	ó	30	20
148	ô	30	20
149	õ	30	20
150	û	36	24
151	ü	36	24
152	ÿ	36	24
153	Û	36	24
154	Ü	42	28
155	ƒ	30	20
156	ℓ	30	20
157	¥	36	24
158	Pl	42	18
159	f	30	20
160	á	30	20
161	í	18	12
162	ó	30	20
163	ú	36	24
164	ñ	36	24

ASCII code	Char.	Width	
		Normal	Script
165	ñ	36	24
166	ß	30	20
167	ø	30	20
168	¿	30	20
169	ˆ	30	20
170	ˆ	30	20
171	ˆ	30	20
172	ˆ	30	20
173	ˆ	30	20
174	ˆ	30	20
175	ˆ	30	20
224	α	30	20
225	β	30	20
226	Γ	30	20
227	π	30	20
228	Σ	30	20
229	σ	30	20
230	μ	30	20
231	τ	30	20
232	Φ	30	20
233	θ	30	20
234	Ω	30	20
235	δ	36	20
236	∞	30	24
237	φ	30	20
238	ε	30	20

ASCII code	Char.	Width	
		Normal	Script
239	ˆ	30	20
240	ˆ	30	20
241	±	30	20
242	≥	30	20
243	≤	30	20
246	+	30	20
247	ˆ	30	20
248	ˆ	30	20
249	ˆ	30	20
250	ˆ	30	20
251	√	30	20
252	ˆ	30	20
253	ˆ	30	20
254	ˆ	30	20
255	SP	30	20

Compressed PS width is 1/2 of Normal PS.

Unit: 1/360 inch (0.07 mm)

Epson Mode Characters (Multilingual)

ASCII code	Char.	Width	
		Normal	Script
35	Pl	42	28
48	Ø	30	20
92	W	42	28
93	ˆ	30	20
125	†	30	20
126	™	36	24
128	Ç	36	24
129	û	36	24
130	é	30	20
131	á	30	20
132	â	30	20
133	ã	30	20
134	ä	30	20
135	ç	30	20
136	ê	30	20
137	ë	30	20
138	è	30	20
139	ï	18	12
140	í	18	12
141	ì	18	12
142	Ā	36	24
143	Ă	36	24
144	Ĕ	36	24
145	æ	42	28
146	Æ	42	28
147	ó	30	20
148	ô	30	20
149	õ	30	20
150	û	36	24
151	ü	36	24

ASCII code	Char.	Width	
		Normal	Script
152	ÿ	36	24
153	Û	36	24
154	Ü	42	28
155	ƒ	30	20
156	ℓ	30	20
157	Ø	36	24
158	×	30	20
159	f	30	20
160	á	30	20
161	í	18	12
162	ó	30	20
163	ú	36	24
164	ñ	36	24
165	Ñ	36	24
166	ß	30	20
167	ø	30	20
168	¿	30	20
169	©	36	24
170	ˆ	30	20
171	ˆ	30	20
172	ˆ	30	20
173	ˆ	30	20
174	ˆ	30	20
175	ˆ	30	20
181	Á	36	24
182	Ā	36	24
183	Ă	36	24
184	©	36	24
189	ç	30	20
190	¥	36	24

ASCII code	Char.	Width	
		Normal	Script
198	ä	30	20
199	Ā	36	24
207	ø	30	20
208	ó	36	24
209	Ø	36	24
210	Ĕ	36	24
211	Ĕ	36	24
212	Ĕ	36	24
213	ˆ	18	12
214	ˆ	24	16
215	ˆ	24	16
216	ˆ	24	16
221	ˆ	18	12
222	ˆ	24	16
224	Ó	36	24
225	ß	30	20
226	Ó	36	24
227	Ó	36	24
228	ø	30	20
229	Ó	36	24
230	μ	30	20
231	þ	36	24
232	þ	36	24
233	Ú	42	28
234	Û	42	28
235	Ü	42	28
236	ÿ	36	24
237	ÿ	36	24
238	ˆ	30	20
239	ˆ	18	12

ASCII code	Char.	Width	
		Normal	Script
240	ˆ	30	20
241	±	30	20
242	≥	30	20
243	≤	30	20
244	¶	30	20
245	§	30	20
246	+	30	20
247	ˆ	30	20
248	ˆ	30	20
249	ˆ	30	20
250	ˆ	30	20
251	ˆ	24	16
252	ˆ	24	16
253	ˆ	30	20
254	ˆ	30	20
255	SP	30	20

Compressed PS width is 1/2 of Normal PS.

Unit: 1/360 inch (0.07 mm)

Proportional Spacing Tables

Epson Mode Characters (Portugal)

ASCII code	Char.	Width	
		Normal	Script
36	o	30	20
48	o	30	20
64	§	30	20
91	Æ	42	28
91	Å	36	24
92	v	36	24
92	Ö	36	24
92	Ø	36	24
92	·	18	12
92	W	42	28
93	Ä	36	24
93	ö	30	20
94	ŋ	30	20
123	©	36	24
123	à	30	20
123	æ	42	28
124	ó	30	20
124	õ	30	20
124	ø	36	24
125	á	30	20
125	†	30	20
126	™	36	24
128	Ç	36	24
129	ü	36	24
130	é	30	20
131	á	30	20
132	â	30	20
133	ã	30	20
134	Ä	36	24
135	ç	30	20

ASCII code	Char.	Width	
		Normal	Script
136	é	30	20
137	É	36	24
138	è	30	20
139	í	24	16
140	Ö	36	24
141	í	18	12
142	Å	36	24
143	Ä	36	24
144	É	36	24
145	À	36	24
146	È	36	24
147	ó	30	20
148	õ	30	20
149	ö	30	20
150	Ü	42	28
151	ú	36	24
152	ì	24	16
153	Ö	36	24
154	Ü	42	28
155	ç	30	20
156	£	30	20
157	Û	42	28
158	Pl	42	28
159	Ó	36	24
160	á	30	20
161	í	18	12
162	ó	30	20
163	ú	36	24
164	ñ	36	24
165	Ñ	36	24

ASCII code	Char.	Width	
		Normal	Script
166	ø	30	20
167	ø	30	20
168	¿	30	20
169	Ö	36	24
170	ˆ	30	20
171	¿	30	20
172	¿	30	20
173	í	30	20
174	ˆ	30	20
175	ˆ	30	20
224	α	30	20
225	β	30	20
226	Γ	30	20
227	π	30	20
228	Σ	30	20
229	σ	30	20
230	μ	30	20
231	τ	30	20
232	φ	30	20
233	θ	30	20
234	Ω	30	20
235	δ	30	20
236	∞	30	20
237	φ	30	20
238	€	30	20
239	∩	30	20
240	≠	30	20
241	±	30	20
242	≥	30	20
243	≤	30	20

ASCII code	Char.	Width	
		Normal	Script
246	+	30	20
247	ˆ	30	20
248	ˆ	30	20
249	ˆ	30	20
250	ˆ	30	20
251	√	30	20
252	n	30	20
253	z	30	20
254	■	30	20
255	SP	30	20

Compressed PS width is 1/2 of Normal PS.

Unit: 1/360 inch (0.07 mm)

Epson Mode Characters (Canada-French)

ASCII code	Char.	Width	
		Normal	Script
35	Pl	42	28
48	o	30	20
64	á	30	20
91	·	24	16
91	Å	36	24
91	Æ	42	28
91	í	18	12
92	Ö	36	24
92	Ñ	36	24
92	Ø	36	24
92	v	36	24
92	·	18	12
92	W	42	28
93	Ä	36	24
93	¿	30	20
93	ˆ	30	20
123	©	36	24
123	à	30	20
123	æ	42	28
123	í	18	12
124	ó	30	20
124	õ	30	20
124	ñ	36	24
124	o	30	20
124	ø	36	24
125	†	30	20
126	™	36	24
128	Ç	36	24
129	ü	36	24
130	é	30	20

ASCII code	Char.	Width	
		Normal	Script
132	à	30	20
132	Ä	36	24
133	á	30	20
134	ŋ	30	20
135	ç	30	20
136	è	30	20
137	é	30	20
138	è	30	20
139	í	18	12
140	í	18	12
141	—	30	20
142	À	36	24
143	§	30	20
144	É	36	24
145	È	36	24
146	É	36	24
147	ó	30	20
148	È	36	24
149	í	24	16
150	ó	36	24
151	ú	36	24
152	o	30	20
153	ó	36	24
154	Ü	42	28
155	ç	30	20
156	£	30	20
157	Û	42	28
158	Ü	42	28
159	f	30	20
160	!	18	12

ASCII code	Char.	Width	
		Normal	Script
161	·	18	12
162	ó	30	20
163	ú	36	24
164	¿	30	20
165	·	30	20
166	¿	24	16
167	—	30	20
168	í	24	16
169	ˆ	30	20
170	ˆ	30	20
171	¿	30	20
172	¿	30	20
173	¿	30	20
174	ˆ	30	20
175	ˆ	30	20
224	α	30	20
225	β	30	20
226	Γ	30	20
227	π	30	20
228	Σ	30	20
229	σ	30	20
230	μ	30	20
231	τ	30	20
232	φ	30	20
233	θ	30	20
234	Ω	30	20
235	δ	30	20
236	∞	30	20
237	φ	30	20
238	€	30	20

ASCII code	Char.	Width	
		Normal	Script
239	∩	30	20
240	■	30	20
241	±	30	20
242	≥	30	20
243	≤	30	20
246	+	30	20
247	ˆ	30	20
248	ˆ	30	20
249	ˆ	30	20
250	ˆ	30	20
251	√	30	20
252	n	30	20
253	z	30	20
254	■	30	20
255	SP	30	20

Compressed PS width is 1/2 of Normal PS.

Unit: 1/360 inch (0.07 mm)

Proportional Spacing Tables

Epson Mode Characters (Norway)

ASCII code	Char.	Width	
		Normal	Script
48	0	30	20
64	§	30	20
91	°	24	16
92	v	36	24
92	.	36	24
92	W	42	28
93	-	36	24
94	¶	30	20
123	©	36	24
124	®	36	24
125	†	30	20
126	-	30	20
126	™	36	24
128	Ç	36	24
129	ü	36	24
130	é	30	20
131	á	30	20
132	à	30	20
133	â	30	20
134	ä	30	20
135	ç	30	20
136	ê	30	20
137	ë	30	20
138	è	30	20
139	í	18	12
140	ı	18	12
141	ı	18	12
142	À	36	24
143	Á	36	24
144	Ê	36	24
145	Ë	42	28

ASCII code	Char.	Width	
		Normal	Script
146	Æ	42	28
147	ð	30	20
148	ö	30	20
149	ó	30	20
150	ù	36	24
151	û	36	24
152	ÿ	36	24
153	Ö	36	24
154	Ü	42	28
155	ø	30	20
156	£	30	20
157	©	36	24
158	PI	42	28
159	f	30	20
160	á	30	20
161	í	18	12
162	ó	30	20
163	ú	36	24
164	ñ	36	24
165	Ñ	36	24
166	ß	30	20
167	9	30	20
168	¿	30	20
169	¡	30	20
170	ı	30	20
171	ı	30	20
172	ı	30	20
173	ı	30	20
174	=	30	20
175	o	30	20
224	α	30	20

ASCII code	Char.	Width	
		Normal	Script
225	β	30	20
226	Γ	30	20
227	π	30	20
228	Σ	30	20
229	σ	30	20
230	μ	30	20
231	τ	30	20
232	Φ	30	20
233	θ	30	20
234	Ω	30	20
235	δ	30	20
236	≈	30	20
237	φ	30	20
238	ε	30	20
239	∩	30	20
240	≡	30	20
241	±	30	20
242	≥	30	20
243	≤	30	20
246	+	30	20
247	-	30	20
248	.	30	20
249	*	30	20
250	*	30	20
251	√	30	20
252	n	30	20
253	2	30	20
254	■	30	20
255	SP	30	20

Compressed PS width is 1/2 of Normal PS.

Unit: 1/360 inch (0.07 mm)

Epson Mode Characters (Turkey)

ASCII code	Char.	Width	
		Normal	Script
36	o	30	20
48	0	30	20
64	§	30	20
91	°	24	16
92	©	36	24
92	.	18	12
92	W	42	28
93	-	30	20
94	¶	30	20
123	©	36	24
124	®	30	20
124	®	36	24
125	†	30	20
126	-	30	20
126	™	36	24
128	Ç	36	24
129	ü	36	24
130	é	30	20
131	á	30	20
132	à	30	20
133	â	30	20
134	ä	30	20
135	ç	30	20
136	ê	30	20
137	ë	30	20
138	è	30	20
139	í	18	12

ASCII code	Char.	Width	
		Normal	Script
140	ı	18	12
141	ı	18	12
142	À	36	24
143	Á	36	24
144	Ê	36	24
145	Ë	42	28
146	Æ	42	28
147	ð	30	20
148	ö	30	20
149	ó	30	20
150	ù	36	24
151	û	36	24
152	ı	24	16
153	Ö	36	24
154	Ü	42	28
155	€	30	20
156	£	30	20
157	v	36	24
158	Ş	36	24
159	ş	30	20
160	á	30	20
161	í	18	12
162	ó	30	20
163	ú	36	24
164	ñ	36	24
165	Ñ	36	24
166	Ğ	36	24

ASCII code	Char.	Width	
		Normal	Script
167	ğ	36	24
168	¿	30	20
169	¡	30	20
170	ı	30	20
171	ı	30	20
172	ı	30	20
173	ı	30	20
174	=	30	20
175	*	30	20
224	α	30	20
225	β	30	20
226	Γ	30	20
227	π	30	20
228	Σ	30	20
229	σ	30	20
230	μ	30	20
231	τ	30	20
232	Φ	30	20
233	θ	30	20
234	Ω	30	20
235	δ	36	20
236	≈	30	24
237	φ	30	20
238	ε	30	20
239	∩	30	20
240	≡	30	20
241	±	30	20

ASCII code	Char.	Width	
		Normal	Script
242	≥	30	20
243	≤	30	20
246	+	30	20
247	-	30	20
248	.	30	20
249	*	30	20
250	*	30	20
251	√	30	20
252	n	30	20
253	2	30	20
254	■	30	20
255	SP	30	20

Compressed PS width is 1/2 of Normal PS.

Unit: 1/360 inch (0.07 mm)

Proportional Spacing Tables

IBM Mode Characters

ASCII code	Char.	Width	
		Normal	Script
0	Ø	30	
1	∴	30	
2	●	30	
3	◆	30	
4	◆	30	
5	▲	30	
6	▲	30	
7	▲	30	
8	◻	30	
9	◻	30	
10	◻	30	
11	◻	30	
12	◻	30	
13	◻	30	
14	◻	30	
15	◻	30	
16	◻	30	
17	◻	30	
18	◻	30	
19	◻	30	
20	◻	30	
21	◻	30	
22	◻	30	
23	◻	30	
24	◻	30	
25	◻	30	
26	◻	30	
27	◻	30	
28	L	30	
29	⋮	30	
30	▲	30	
31	▼	30	
127	∆	30	

ASCII code	Char.	Width	
		Normal	Script
128	Ç	42	
129	ü	36	
130	é	30	
131	á	30	
132	à	30	
133	à	30	
134	á	30	
135	ç	30	
136	è	30	
137	è	30	
138	è	30	
139	ī	18	
140	ī	18	
141	ī	18	
142	Ā	42	
143	Ā	42	
144	É	36	
145	æ	42	
146	Æ	42	
147	ò	30	
148	ò	30	
149	ó	30	
150	ü	36	
151	ü	36	
152	ÿ	36	
153	Ō	42	
154	Ū	42	
155	ϵ	30	
156	ϵ	30	
157	v	30	
158	Pts	42	
159	f	30	
160	á	30	

ASCII code	Char.	Width	
		Normal	Script
161	í	18	
162	ó	30	
163	ú	36	
164	ñ	36	
165	Ñ	42	
166	â	30	
167	â	30	
168	î	30	
169	ı	30	
170	ı	30	
171	ı	30	
172	ı	30	
173	ı	30	
174	ı	42	
175	ı	42	
224	α	30	
225	β	36	
226	Γ	36	
227	κ	36	
228	Σ	42	
229	σ	36	
230	μ	36	
231	τ	30	
232	Φ	42	
233	θ	42	
234	Ω	42	
235	δ	30	
236	∞	30	
237	φ	42	
238	ε	30	
239	∩	30	
240	■	30	
241	±	30	

ASCII code	Char.	Width	
		Normal	Script
242	≥	30	
243	≤	30	
246	+	30	
247	-	30	
248	.	30	
249	.	30	
250	.	30	
251	√	30	
252	n	30	
253	2	30	
254	■	30	
255	SP	30	

Compressed PS width is 1/2 of Normal PS.

Unit: 1/360 inch (0.07 mm)

IBM Mode Characters (Multilingual)

ASCII code	Char.	Width	
		Normal	Script
0	Ø	30	
1	∴	30	
2	●	30	
3	◆	30	
4	◆	30	
5	▲	30	
6	▲	30	
7	▲	30	
8	◻	30	
9	◻	30	
10	◻	30	
11	◻	30	
12	◻	30	
13	◻	30	
14	◻	30	
15	◻	30	
16	◻	30	
17	◻	30	
18	◻	30	
19	◻	30	
20	◻	30	
21	◻	30	
22	◻	30	
23	◻	30	
24	◻	30	
25	◻	30	
26	◻	30	
27	◻	30	
28	L	30	
29	⋮	30	
30	▲	30	
31	▼	30	
127	∆	30	
128	Ç	42	

ASCII code	Char.	Width	
		Normal	Script
129	ü	36	
130	é	30	
131	á	30	
132	à	30	
133	à	30	
134	á	30	
135	ç	30	
136	è	30	
137	è	30	
138	è	30	
139	ī	18	
140	ī	18	
141	ī	18	
142	Ā	42	
143	Ā	42	
144	É	36	
145	æ	42	
146	Æ	42	
147	ò	30	
148	ò	30	
149	ó	30	
150	ü	36	
151	ü	36	
152	ÿ	36	
153	Ō	42	
154	Ū	42	
155	ϵ	30	
156	ϵ	30	
157	∅	42	
158	x	30	
159	f	30	
160	á	30	
161	ı	18	
162	ó	30	

ASCII code	Char.	Width	
		Normal	Script
163	í	36	
164	ñ	36	
165	Ñ	42	
166	â	30	
167	â	30	
168	î	30	
169	ı	30	
170	ı	30	
171	ı	30	
172	ı	30	
173	ı	30	
174	ı	42	
175	ı	42	
181	Ā	42	
182	Ā	42	
183	Ā	42	
184	∅	30	
189	e	30	
190	v	30	
198	á	30	
199	Ā	42	
207	o	30	
208	ò	36	
209	D	42	
210	É	36	
211	É	36	
212	É	36	
213	ı	18	
214	ı	24	
215	ı	24	
216	ı	24	
221	ı	30	
222	ı	24	
224	Ō	42	

ASCII code	Char.	Width	
		Normal	Script
225	β	36	
226	Ō	42	
227	Ō	42	
228	ò	30	
229	Ō	42	
230	μ	30	
231	þ	36	
232	þ	42	
233	Ū	42	
234	Ū	42	
235	Ū	42	
236	ÿ	36	
237	ÿ	42	
238	-	30	
239	.	30	
240	-	30	
241	±	30	
242	±	30	
243	±	30	
244	¶	30	
245	§	30	
246	+	30	
247	.	30	
248	.	30	
249	.	30	
250	.	30	
251	.	30	
252	.	30	
253	.	30	
254	.	30	
255	SP	30	

Compressed PS width is 1/2 of Normal PS.

Unit: 1/360 inch (0.07 mm)

Proportional Spacing Tables

IBM Mode Characters (Portugal)

ASCII code	Char.	Width	
		Normal	Script
0	ø	30	
1	∴	30	
2	•	30	
3	▼	30	
4	♦	30	
5	▲	30	
6	•	30	
7	◻	30	
8	◻	30	
9	◻	30	
10	◻	30	
11	◻	30	
12	◻	30	
13	◻	30	
14	◻	30	
15	◻	30	
16	◻	30	
17	◻	30	
18	◻	30	
19	◻	30	
20	◻	30	
21	◻	30	
22	◻	30	
23	◻	30	
24	◻	30	
25	◻	30	
26	◻	30	
27	◻	30	
28	◻	30	
29	◻	30	
30	◻	30	
31	◻	30	

ASCII code	Char.	Width	
		Normal	Script
127	∆	30	
128	Ç	42	
129	ü	36	
130	é	30	
131	á	30	
132	â	30	
133	ã	30	
134	Ä	36	
135	ç	30	
136	ê	30	
137	É	36	
138	è	30	
139	í	24	
140	Ó	42	
141	i	18	
142	Ä	42	
143	Ä	42	
144	É	36	
145	Ä	42	
146	É	36	
147	ó	30	
148	ó	30	
149	ó	30	
150	Ü	42	
151	ü	36	
152	ı	24	
153	Ö	42	
154	Ü	42	
155	ç	30	
156	É	30	
157	Ü	42	
158	Pts	42	

ASCII code	Char.	Width	
		Normal	Script
159	Ö	42	
160	á	30	
161	í	18	
162	ó	30	
163	ú	36	
164	ñ	36	
165	Ñ	42	
166	á	30	
167	ñ	30	
168	ı	30	
169	Ö	42	
170	ı	30	
171	ı	30	
172	ı	30	
173	ı	30	
174	ı	42	
175	ı	42	
224	α	30	
225	β	36	
226	Γ	36	
227	κ	36	
228	Σ	42	
229	σ	36	
230	μ	36	
231	τ	30	
232	φ	42	
233	θ	42	
234	Ω	42	
235	δ	30	
236	ı	30	
237	φ	42	
238	ε	30	

ASCII code	Char.	Width	
		Normal	Script
239	ı	30	
240	ı	30	
241	ı	30	
242	ı	30	
243	ı	30	
246	ı	30	
247	ı	30	
248	ı	30	
249	ı	30	
250	ı	30	
251	ı	30	
252	n	30	
253	2	30	
254	■	30	
255	SP	30	

Compressed PS width is 1/2 of Normal PS.

Unit: 1/360 inch (0.07 mm)

IBM Mode Characters (Canada-French)

ASCII code	Char.	Width	
		Normal	Script
0	ø	30	
1	∴	30	
2	•	30	
3	▼	30	
4	♦	30	
5	▲	30	
6	•	30	
7	◻	30	
8	◻	30	
9	◻	30	
10	◻	30	
11	◻	30	
12	◻	30	
13	◻	30	
14	◻	30	
15	◻	30	
16	◻	30	
17	◻	30	
18	◻	30	
19	◻	30	
20	◻	30	
21	◻	30	
22	◻	30	
23	◻	30	
24	◻	30	
25	◻	30	
26	◻	30	
27	◻	30	
28	◻	30	
29	◻	30	
30	◻	30	

ASCII code	Char.	Width	
		Normal	Script
31	▼	30	
127	∆	30	
128	Ç	42	
129	ü	36	
130	é	30	
131	á	30	
132	Ä	42	
133	à	30	
134	¶	30	
135	ç	30	
136	ê	30	
137	ë	30	
138	è	30	
139	ï	18	
140	i	18	
141	=	30	
142	Ä	42	
143	§	30	
144	É	36	
145	É	36	
146	É	36	
147	ó	30	
148	É	36	
149	ı	24	
150	ü	36	
151	ü	36	
152	ó	30	
153	Ö	42	
154	Ü	42	
155	ç	30	
156	É	30	
157	Ü	30	

ASCII code	Char.	Width	
		Normal	Script
158	Ü	42	
159	f	30	
160	ı	30	
161	ı	30	
162	ó	30	
163	ú	36	
164	ı	30	
165	ı	30	
166	ı	30	
167	ı	30	
168	ı	24	
169	ı	30	
170	ı	30	
171	ı	30	
172	ı	30	
173	ı	30	
174	ı	42	
175	ı	42	
224	α	30	
225	β	36	
226	Γ	36	
227	κ	36	
228	Σ	42	
229	σ	36	
230	μ	36	
231	τ	30	
232	φ	42	
233	θ	42	
234	Ω	42	
235	δ	30	
236	ı	30	

ASCII code	Char.	Width	
		Normal	Script
237	φ	42	
238	ε	30	
239	ı	30	
240	ı	30	
241	ı	30	
242	ı	30	
243	ı	30	
246	ı	30	
247	ı	30	
248	ı	30	
249	ı	30	
250	ı	30	
251	ı	30	
252	n	30	
253	2	30	
254	■	30	
255	SP	30	

Compressed PS width is 1/2 of Normal PS.

Unit: 1/360 inch (0.07 mm)

Proportional Spacing Tables

IBM Mode Characters (Norway)

ASCII code	Char.	Width	
		Normal	Script
0	ø	30	
1	∴	30	
2	•	30	
3	▼	30	
4	•	30	
5	▲	30	
6	•	30	
7	•	30	
8	□	30	
9	○	30	
10	■	30	
11	◊	30	
12	♀	30	
13	♂	30	
14	♯	30	
15	◊	30	
16	▲	30	
17	▲	30	
18	∴	30	
19	∥	30	
20	¶	30	
21	§	30	
22	-	30	
23	-	30	
24	∴	30	
25	•	30	
26	•	30	
27	•	30	
28	L	30	
29	••	30	
30	▲	30	
31	▼	30	

ASCII code	Char.	Width	
		Normal	Script
127	△	30	
128	Ç	42	
129	ü	36	
130	é	30	
131	á	30	
132	ä	30	
134	à	30	
135	Á	30	
136	ç	30	
137	é	30	
138	è	30	
139	ë	30	
140	ï	18	
140	í	18	
141	í	18	
142	À	42	
143	Á	42	
144	É	36	
145	æ	42	
146	Æ	42	
147	ó	30	
148	ö	30	
149	õ	30	
150	ú	36	
151	û	36	
152	ÿ	36	
153	Ö	42	
154	Û	42	
155	ƒ	30	
156	£	30	
157	Ø	42	
158	Pls	42	

ASCII code	Char.	Width	
		Normal	Script
159	f	30	
160	á	30	
161	í	18	
162	ó	30	
163	ú	36	
164	ñ	36	
165	Ñ	42	
166	ß	30	
167	Ω	30	
168	¿	30	
169	¬	30	
170	¬	30	
171	±	30	
172	±	30	
173	í	30	
174	*	42	
175	o	30	
224	α	30	
225	β	36	
226	Γ	36	
227	π	36	
228	Σ	42	
229	σ	36	
230	μ	36	
231	τ	30	
232	Φ	42	
233	θ	42	
234	Ω	42	
235	δ	30	
236	∞	30	
237	φ	42	
238	ε	30	

ASCII code	Char.	Width	
		Normal	Script
239	∩	30	
240	∩	30	
241	±	30	
242	≥	30	
243	≤	30	
246	+	30	
247	*	30	
248	•	30	
249	•	30	
250	•	30	
251	√	30	
252	n	30	
253	2	30	
254	■	30	
255	SP	30	

Compressed PS width is 1/2 of Normal PS.

Unit: 1/360 inch (0.07 mm)

IBM Mode Characters (Turkey)

ASCII code	Char.	Width	
		Normal	Script
0	ø	30	
1	∴	30	
2	•	30	
3	▼	30	
4	•	30	
5	▲	30	
6	•	30	
7	•	30	
8	□	30	
9	○	30	
10	■	30	
11	◊	30	
12	♀	30	
13	♂	30	
14	♯	30	
15	◊	30	
16	▲	30	
17	▲	30	
18	∴	30	
19	∥	30	
20	¶	30	
21	§	30	
22	-	30	
23	-	30	
24	∴	30	
25	•	30	
26	•	30	
27	•	30	
28	L	30	
29	••	30	
30	▲	30	
31	▼	30	
127	△	30	

ASCII code	Char.	Width	
		Normal	Script
128	Ç	42	
129	ü	36	
130	é	30	
131	á	30	
132	ä	30	
134	à	30	
135	Á	30	
136	ç	30	
137	é	30	
138	è	30	
139	ë	30	
140	ï	18	
140	í	18	
141	í	18	
142	À	42	
143	Á	42	
144	É	36	
145	æ	42	
146	Æ	42	
147	ó	30	
148	ö	30	
149	õ	30	
150	ú	36	
151	û	36	
152	ÿ	24	
153	Ö	42	
154	Û	42	
155	ƒ	30	
156	£	30	
157	¥	30	
158	Ş	36	
159	Ş	30	
160	á	30	

ASCII code	Char.	Width	
		Normal	Script
161	í	18	
162	ó	30	
163	ú	36	
164	ñ	36	
165	Ñ	42	
166	Ğ	42	
167	ğ	36	
168	¿	30	
169	¬	30	
170	¬	30	
171	±	30	
172	±	30	
173	í	30	
174	*	42	
175	*	42	
224	α	30	
225	β	36	
226	Γ	36	
227	π	36	
228	Σ	42	
229	σ	36	
230	μ	36	
231	τ	30	
232	Φ	42	
233	θ	42	
234	Ω	42	
235	δ	30	
236	∞	30	
237	φ	42	
238	ε	30	
239	∩	30	
240	∩	30	
241	±	30	

ASCII code	Char.	Width	
		Normal	Script
242	≥	30	
243	≤	30	
246	+	30	
247	*	30	
248	•	30	
249	•	30	
250	•	30	
251	√	30	
252	n	30	
253	2	30	
254	■	30	
255	SP	30	

Compressed PS width is 1/2 of Normal PS.

Unit: 1/360 inch (0.07 mm)

Glossary

- ASCII:** "ASCII" is an acronym for "American Standard Code for Information Interchange". In ASCII, each character has a unique code.
- BASIC:** BASIC is a commonly used microcomputer programming language.
- Baud (baud rate):** Baud is a unit of data transmission speed between computer devices. Can be, but not necessarily, equal to bits per second.
- Bidirectional printing:** Processing speed is increased by bidirectional printing. That is, the printer prints right-to-left as well as in the normal left-to-right manner.
- Binary:** Binary is a numbering system using the two digits of zero (0) and one (1).
- Bit:** Bit is an abbreviation for "binary digit (0~1)", and is the smallest unit of information used by a printer or computer.
- Buffer:** Buffer is an area of memory which stores data temporarily.
- Byte:** Byte is the unit of information used by a printer or computer. One byte is equivalent to eight (8) bits.
- Character set:** Character set is the set of characters, numbers, and symbols available for printing.
- Code page:** The computer system stores characters and numbers as a numerical data. The Code page is a table which is used to change them into the numerical data.
- Control codes:** Control codes are commands from the computer to the printer that are non-printable characters. They are used to control printer functions.
- cpi:** "cpi" is an abbreviation for "characters per inch", and means the maximum number of characters printed in one horizontal inch.
- cpl:** "cpl" is an abbreviation for "characters per line", and means the maximum number of characters printed on one line.
- cps:** "cps" is an abbreviation for "characters per second", and means the number of characters printed in one second.
- CR (Carriage Return):** "CR" is a control code that returns the printhead to the left margin.
- Decimal (Dec.):** Decimal is a numbering system composed of 10 digits 0, 1, 2, 3, 4, 5, 6, 7, 8 and 9.
- Default:** Default has two meanings: one indicates the previously set condition or settings executed when the power is turned on, reset or initialized; and the other indicates the original settings when shipped from the factory.

Glossary

Double strike printing: Double printing is a print quality enhancing mode which uses a double strike with two passes of the printhead, feeding the paper 1/180" (0.14 mm) between the first and second pass (in Epson mode only).

Double high printing: Double high printing makes the height of a character twice that of a normal one.

Double wide printing: Double wide printing makes the width of a character twice that of a normal one.

Download character: Download character is a character which the user can design.

Draft: Draft is one of two print qualities available on this printer. Draft mode uses a minimum number of dots per character to maximize printing speed.

Emphasized printing: Emphasized printing is a print quality enhancing mode done in one pass of the printhead at half speed, allowing horizontally adjacent dots to be printed producing a darker character.

Emulation: Emulation means to operate like another printer. KX-P2023 can emulate the Epson LQ-850 or the IBM Proprinter X24E.

Escape (ESC) sequence: "ESC" is a control code that begins most printer commands. The characters which follow the "ESC" are interpreted as the command, rather than characters to print.

Fanfold paper: Fanfold paper has regularly sprocket holes on the left and right sides and pages are separated by a perforation between each sheet. May also be known as computer paper or tractor paper.

FF (Form Feed): "FF" is a control code that advances the paper one page.

Font: Font is a style and size of type designated by a family name.

FORTRAN: FORTRAN is one of many computer programming languages, which is used primarily in scientific applications.

Hexadecimal: Hexadecimal is a numbering system using the 16 digits, 0, 1, 2, 3, 4, 5, 6, 7, 8, 9, A, B, C, D, E and F.

Initialization: Initialization means to reset the printer to the initial start up condition.

Interface: Interface is the connection between the two separate systems, such as the computer and the printer. A parallel interface transfers data one character or code at a time, and a serial interface transfers data one bit at a time.

- I/O:** "I/O" is the symbolic notation for "Input/Output".
- LF (Line Feed):** "LF" is a control code that advances the paper one line.
- LSB:** "LSB" is an acronym for "Least Significant Bit", and means the rightmost position in a binary number.
- MSB:** "MSB" is an acronym for "Most Significant Bit", and means the leftmost position in a binary number.
- OFF LINE:** OFF LINE is the condition in which the printer can not communicate with the computer.
- ON LINE:** ON LINE is the condition in which the printer can communicate with the computer.
- Overline printing:** Overline printing produces a continuous line above the characters, using the first pin of the printhead.
- Parallel interface:** Synchronized 8 bit transmission of data from the computer to the printer. (☞ P. 82 "Interface".)
- Parity:** Parity is a method for a computer and printer to check the accuracy of data transfer.
- PASCAL:** PASCAL is a commonly used microcomputer programming language.
- Perforation:** Perforation indicates the tear position on the fanfold paper. (☞ P. 62)
- Pitch:** Pitch is the number of characters which will print in one inch. Pitch is equivalent to characters per inch (cpi).
- Platen:** Platen is the rubber roller which is a backing for the paper when printing.
- Printer drivers:** Most of today's off the shelf software programs use printer drivers to control printer functions. These drivers contain the software codes your software program uses to access printer features. With the printer driver installed, you will seldom need to know any of the KX-P2023 commands.
- Proportional spacing (PS):** Proportional spacing is a printing method of adjusting the space in which a character is printed.

Glossary

RAM: RAM is an acronym for "Random Access Memory". It is the part of the printer's memory in which data is stored, control codes or download characters are to be printed. RAM is cleared when the printer is turned off.

ROM: ROM is an acronym for "Read Only Memory". It is the part of the printer's memory in which predefined characters and operating information for the printer are stored. ROM is not cleared when the printer is turned off.

Self test: Self test is a method for testing the operation of the printer. (P. 27)

Shielded Cable: Shielded cable is a cable wrapped with a special metal around its wires. This guards against radio interference.

String concatenation: This is the joining of two or more bytes of data into a single command.

Super Quiet mode: Super Quiet mode is a helpful feature which reduces printing noise.

Unidirectional printing: The printer prints left-to-right only. Printing speed is slow compared with bidirectional printing. This print method permits better vertical alignment.

Index

- A**
- Acknowledge 64
 - Alternate Graphic Mode (A.G.M.) 28
 - Auto CR 28
 - Auto LF 28
 - Auto Load 28
- B**
- Bi-directional Printing 28, 81
 - Bold PS 6, 28, 37, 59
 - Buffer 6, 59, 81
- C**
- Cable 63
 - Characters sets 59
 - Epson Mode 68
 - IBM Mode 70
 - Character Per Line 59
 - Clear Buffer 66
 - Code page 28, 81
 - Connecting 12
 - Control Panel 10, 28, 33, 34, 37
 - Courier 6, 28, 37, 59
 - Current Settings 36
 - Cut Sheet Feeder 28, 87
- D**
- Detectors 60
 - Dot configuration 59
 - Dot matrix 59
 - Download 28
- E**
- Elite 59
 - Emulation 6, 59, 82
 - Epson LQ-850 Mode 6, 28, 43
 - IBM Proprinter X24E Mode 6, 28, 49
- F**
- Factory Settings 36
 - Fanfold paper 11, 19, 59, 82
 - FONT 28, 37, 82
 - FONT switch 10, 37
 - Form Feed 39, 82
 - Frame ground 11, 12, 65
 - Friction 11, 22
- G**
- Graphic Direction 28
 - Bi-directional printing 28, 81
 - Uni-directional printing 28, 84
- H**
- Head gap lever 11
 - Head service life 60
 - Hex Dump 67
- I**
- Initialization 66, 82
 - Initial Setup Mode 28
 - Interfacing 59, 63, 82
 - International Character Set 28, 73
 - Italic Character Set 28
- L**
- LF/FF switch 10, 39
 - Line Feed 39, 83
 - LOAD/PARK 40
 - LOAD/PARK switch 10
- M**
- Maintenance 57
 - Micron 59

O

ON LINE switch	10
ON LINE indicator	10
Operating environment	7
Overheat Detector	60

P

Page length	28
Paper	61
installation	19
specifications	61
Paper Feed	59
Friction Mode	22, 59
Tractor Mode	19, 59
Paper Feeding	39
Paper feed selector	11
Paper Out Detector	60
Paper Parking	38
Paper support	11
Paper thickness	11
Parallel Interface connector	11, 13, 60
Parts of the Printer	10
Pica	59
Pitch	59, 83
Platen knob	10
Power Requirements	59
Power switch	10, 13
POWER/PAPER OUT indicator	10
Precautions	7
Prestige	6, 28, 37, 59
Prime Signal	66
Print Buffer	66
Print Font	59
Print Speed	6, 59
Printer-Driver	24, 83
Printing Area	62
Printing direction	59
Proportional Spacing Tables	74

R

Re-inking Ribbon	57
Ribbon cassette	14, 57

S

Script	28
Self Test	27, 57
Setup	12
Setup Disk	8, 28
Initial Setup program	28
Command Reference program	54
Single sheet	22, 61, 62
Site Requirements	7
Skip perforation	28
Smoked plastic cover	10
Software Commands	
Epson Mode	43
IBM Mode	49
Specifications	59
Strobe Signal (\overline{STB})	64
Super Quiet mode	38, 84

T

Tear Off	39
Top cover	10, 11
Tractor clamping levers	20
Troubleshooting	58

U

Unpacking	8
User clear function	66

Z

Zero Font	28
-----------	----

Options and Supplies

- KX-PT12** **Auto Cut Sheet Feeder (Single bin)**
This option allows you to automatically load 50 cut sheets (20 lbs) of paper into the printer.
- KX-P44** **32K Buffer Chip**
This option allows you to download custom-designed characters, or can be used to expand the printer's receive buffer.
- KX-P145** **Ribbon Cassette (Black)**
This ribbon is useful for 3 million characters.

*** Each of the above options has its own Installation and instruction Manuals.**

FOR USERS IN CONTINENTAL UNITED STATES ONLY

TECHNICAL SUPPORT CALLS

If you have read this manual and tried the troubleshooting procedures and you are still having difficulty please contact the store from which the unit was purchased.

You may also call the technical support telephone number which is operational during east coast business hours (9:00 AM to 5:00 PM).

The technical support number is: 1-800-222-0584
(Options and supplies: 1-800-346-4768)

Panasonic Communications & Systems Company,
Computer Products Division
Division of Matsushita Electric Corporation of America
Two Panasonic Way, Secaucus, New Jersey 07094

Panasonic Sales Company
Division of Matsushita Electric of Puerto Rico, Inc.
San Gabriel Industrial Park, 65th Infantry Avenue KM. 9.5
Carolina, Puerto Rico 00630

Matsushita Electric of Canada Limited
5770 Ambler Drive, Mississauga, Ontario, L4W 2T3

Matsushita Electric Industrial Co., Ltd.
Central P.O. Box 288, Osaka 530-91, Japan